

# NORVAL VALENCE FRAME TYPES REPRESENTED as FEATURE STRUCTURES

Lars Hellan, 19092021

In the table below, about 300 valence frame types represented in the valence catalogue NorVal are listed with their 'Construction Label' identifiers, feature structure AVMs ('attribute value matrices') displaying main features of valence and logical form, a short example and an English translation. The table is synchronized with a table at [https://typecraft.org/tc2wiki/NorVal\\_resources](https://typecraft.org/tc2wiki/NorVal_resources).

## Brief background

The grammatical basis for the Construction Label frame type labels as applied to Norwegian are described in Hellan 2021a. General descriptions of the labeling system are given in Hellan and Dakubu 2010 and Dakubu and Hellan 2017. The complete set of the present AVMs is covered by two computational grammars based on Typed Feature Structures. One, called 'TypeGram' ('tg'), is technically fairly simple, and includes specifications of valence frame types for a wider array of languages; for description and download, see <https://typecraft.org/tc2wiki/TypeGram>; the design of the grammar is described in Hellan (2019). The other grammar, called 'NorSource', is a large scale grammar for Norwegian (cf. Hellan and Bruland 2015). It includes the 'TypeGram' analytic design alongside the more complex architectures of standard HPSG-based computational grammars (cf. Copestake 2002), and also produces 'Logical Forms' of the type represented in 'Minimal Recursion Semantics' (MRS; cf. Copestake et al. 2005). A web application where, e.g., the example sentences below can be parsed and displayed for their MRS, is found on <http://regdili.hf.ntnu.no:8081/linguisticAce/parse>.

## Inventory of terms used in the Feature structure AVMs

'GF' stands for 'Grammatical Function', the following functions being used:

Subject (SUBJ), Object (OBJ, also used for 'Direct Object'), Indirect Object (IOBJ), Oblique (OBL), Particle (PRTCL), Adverbial (ADV), Presented (PRESENTED), Extraposition (EXPN), Identified (IDNT, i.e., the complement in an 'identity copula' construction), Secondary Predicate (SECPRD), Governee of a preposition (GOV).

'ACTNT' stands for 'Actants', or 'Participants', or 'Semantic Arguments'; the following are used: ACT1 (corresponds to what will be a subject of the verb used in active voice), ACT2 (corresponds to what will be a direct object of the verb used in active voice), ACT3 (corresponds to what will be an indirect object of the verb used in active voice), ACTobl (the participant expressed by the governee of a PP functioning as an oblique), LOC (a valence-bound locative specification), DIR (a valence-bound directional specification).

'INDX' stands for the reference of the sign (can be either a 'thing', or propositional, for a clause or a secondary predicate).

'XACT' is used for a participant whose reference is determined by an item outside the local frame, and the value links the reference to another participant or GF in the structure. This subsumes 'equi'-constructions (indicated by 'Eq' in the ArgumentLabel in the frame string) and 'raising' constructions, where the GF linked to is not a semantic argument of the matrix verb (indicated by 'Nrg' in the ArgumentLabel in the frame string); while this distinction applies to infinitives, it also applies to Secondary Predicates.

'SIT' stands for 'Situational specification' (would comprise 'senses' in a dictionary), and is used very sparingly.

'ILLOCFORCE' is used to distinguish between interrogatives and declaratives in embedded positions, with the labels 'interr' and 'decl', respectively.

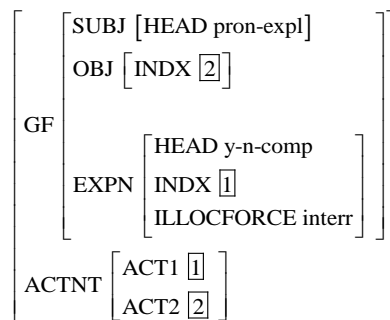
'HEAD' introduces the POS (part of speech) of the sign, the following symbols being used: *verb*, *copula*, *inf* (for the infinitival marker "å" ('to')), *noun*, *pron-expl*, *refl*, *prep*, *adv*, *predpartcl*, *decl-comp* (for the declarative complementizer "at" ('that')), *y-n-comp* (for the 'yes-no'-interrogative

complementizer “om” or “hvorvidt” (‘whether’)). It may be noted that constituent questions are analyzed as headed by the verb, such that the common specification of embedded interrogatives is the ILLOCFORCE value ‘interr’. Apart from the copulas, all AVMs have ‘verb’ as head (but in principle, many frames can also be used to define adjective and noun valence).

### Illustrations

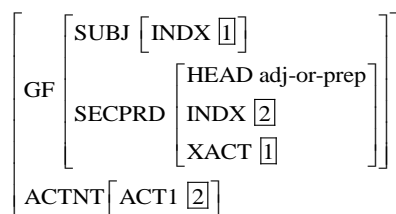
It may be noted that when the first part of a frame label like ‘trExpnSu-expnINTERRyn’ (exemplified by *det angår dem hvorvidt du kommer* ‘it concerns them whether you come’) specifies the frame as consisting of a subject, an object and an extraposed clause directed at the subject, this is reflected in the AVM (1) (see also in the table) as

(1)



where the ‘subject’ function of the extraposed clause is reflected in its INDX being the value of ACT1. Expletive subjects (and objects) do not themselves have participant status; this is one of the respects in which the ACTNT specification of a frame type is not a direct replica of the GF specification. Another case of such discrepancy is instantiated by the frame type ‘intrScpr-scSuNrg-scPred’, exemplified by *He seems happy*, in the AVM (2) of which (see also in the table) there are two GFs but only one actant, namely the proposition ‘he happy’, represented by the INDX of the secondary predicate; the ‘logical subject’ of ‘happy’ is identified through XACT as the referent of the subject, whereas in the logical form, ‘he’ does not have participant status relative to ‘seem’, but only relative to ‘happy’ (this is the classical reasoning behind the ‘Raising’ analysis, cf. Postal 1974).

(2)



### The table

In the English translations, a symbol 'R', 'P', 'L', 'T', 'I', or 'NS' added to a verb or a preposition means that the verb, or preposition, differs in valence from the Norwegian counterpart with respect to, respectively, reflexive, preposition, particle, finite complementizer, infinitival marker, non-split predicate.

FRAME TYPE

FEATURE STRUCTURE

EXAMPLE  
and  
COMMENT

TRANSLATI  
ON

copAdj

$$\left[ \begin{array}{l} \text{HEAD copula} \\ \text{GF} \left[ \begin{array}{l} \text{SUBJ} [\text{INDX } \underline{1}] \\ \text{SECPRD} \left[ \begin{array}{l} \text{HEAD adj} \\ \text{XACT } \underline{1} \end{array} \right] \end{array} \right] \\ \text{ACTNT} [\text{ACT1 } \underline{1}] \end{array} \right]$$

dette blir  
hyggelig

Comment:  
Standard  
predicative copula  
constructions are  
represented as  
Secondary  
Predicate'  
constructions.

this will be  
nice

copAdj-suDECL

$$\left[ \begin{array}{l} \text{HEAD copula} \\ \text{GF} \left[ \begin{array}{l} \text{SUBJ} \left[ \begin{array}{l} \text{INDX } \underline{1} \\ \text{ILLOCFORCE decl} \end{array} \right] \\ \text{SECPRD} \left[ \begin{array}{l} \text{HEAD adj} \\ \text{XACT } \underline{1} \end{array} \right] \end{array} \right] \\ \text{ACTNT} [\text{ACT1 } \underline{1}] \end{array} \right]$$

at det etableres  
en god praksis  
blir avgjørende

that a good  
practice  
gets  
established  
is decisive

copAdj-suINTERR

$$\left[ \begin{array}{l} \text{HEAD copula} \\ \text{GF} \left[ \begin{array}{l} \text{SUBJ} \left[ \begin{array}{l} \text{INDX } \underline{1} \\ \text{ILLOCFORCE int err} \end{array} \right] \\ \text{SECPRD} \left[ \begin{array}{l} \text{HEAD adj} \\ \text{XACT } \underline{1} \end{array} \right] \end{array} \right] \\ \text{ACTNT} [\text{ACT1 } \underline{1}] \end{array} \right]$$

hvem som  
vinner blir  
avgjørende

who wins  
will be  
decisive

copAdv

$$\left[ \begin{array}{l} \text{HEAD copula} \\ \text{GF} \left[ \begin{array}{l} \text{SUBJ} [\text{INDX } \underline{1}] \\ \text{SECPRD} \left[ \begin{array}{l} \text{HEAD adv} \\ \text{XACT } \underline{1} \end{array} \right] \end{array} \right] \\ \text{ACTNT} [\text{ACT1 } \underline{1}] \end{array} \right]$$

hun blir her

she remains  
here

copExpnAdj-expnAbsinf

$$\left[ \begin{array}{l} \text{HEAD copula} \\ \text{GF} \left[ \begin{array}{l} \text{SUBJ} [\text{INDX } \text{explet}] \\ \text{SECPRD} [\text{HEAD } \text{adj}] \\ \text{EXPN} \left[ \begin{array}{l} \text{HEAD inf} \\ \text{INDX } \underline{1} \end{array} \right] \end{array} \right] \\ \text{ACTNT} [\text{ACT1 } \underline{1}] \end{array} \right]$$

det er hyggelig å  
løpe maraton

it is nice to  
run  
marathon

copExpnAdj-expnDECL

$$\left[ \begin{array}{l} \text{HEAD copula} \\ \text{GF} \left[ \begin{array}{l} \text{SUBJ} [\text{INDX } \text{explet}] \\ \text{SECPRD} [\text{HEAD } \text{adj}] \\ \text{EXPN} \left[ \begin{array}{l} \text{HEAD decl-comp} \\ \text{INDX } \underline{1} \\ \text{ILLOCFORCE decl} \end{array} \right] \end{array} \right] \\ \text{ACTNT} [\text{ACT1 } \underline{1}] \end{array} \right]$$

det er hyggelig  
at hun vant

it is nice  
that she  
won

copExpnAdj-expnINTERRwh	$\left[ \begin{array}{l} \text{HEAD copula} \\ \left[ \begin{array}{l} \text{SUBJ [INDX explet]} \\ \text{SECPRD [HEAD adj]} \end{array} \right] \\ \text{GF} \\ \left[ \begin{array}{l} \text{EXPN} \left[ \begin{array}{l} \text{HEAD verb} \\ \text{INDX } \underline{1} \\ \text{ILLOCFORCE int err} \end{array} \right] \end{array} \right] \\ \text{ACTNT} [\text{ACT1 } \underline{1}] \end{array} \right]$	det er uvist hvem som vinner	it is uncertain who will win
copExpnAdj-expnINTERRyn	$\left[ \begin{array}{l} \text{HEAD copula} \\ \left[ \begin{array}{l} \text{SUBJ [INDX explet]} \\ \text{SECPRD [HEAD adj]} \end{array} \right] \\ \text{GF} \\ \left[ \begin{array}{l} \text{EXPN} \left[ \begin{array}{l} \text{HEAD y-n-comp} \\ \text{INDX } \underline{1} \\ \text{ILLOCFORCE int err} \end{array} \right] \end{array} \right] \\ \text{ACTNT} [\text{ACT1 } \underline{1}] \end{array} \right]$	det er uvist om hun vinner	it is uncertain whether she will win
copExpnN-expnAbsinf	$\left[ \begin{array}{l} \text{HEAD copula} \\ \left[ \begin{array}{l} \text{SUBJ [INDX explet]} \\ \text{SECPRD [HEAD noun]} \end{array} \right] \\ \text{GF} \\ \left[ \begin{array}{l} \text{EXPN} \left[ \begin{array}{l} \text{HEAD inf} \\ \text{INDX } \underline{1} \end{array} \right] \end{array} \right] \\ \text{ACTNT} [\text{ACT1 } \underline{1}] \end{array} \right]$	det blir en ære å motta gjesteforskerinvi- tasjoner	it becomes an honor to receive guest researcher invitations
copExpnN-expnDECL	$\left[ \begin{array}{l} \text{HEAD copula} \\ \left[ \begin{array}{l} \text{SUBJ [INDX explet]} \\ \text{SECPRD [HEAD noun]} \end{array} \right] \\ \text{GF} \\ \left[ \begin{array}{l} \text{EXPN} \left[ \begin{array}{l} \text{HEAD decl-comp} \\ \text{INDX } \underline{1} \\ \text{ILLOCFORCE decl} \end{array} \right] \end{array} \right] \\ \text{ACTNT} [\text{ACT1 } \underline{1}] \end{array} \right]$	det blir en ære at dere inviterer meg	it becomes an honor that you invite me
copExpnN-expnINTERRwh	$\left[ \begin{array}{l} \text{HEAD copula} \\ \left[ \begin{array}{l} \text{SUBJ [INDX explet]} \\ \text{SECPRD [HEAD noun]} \end{array} \right] \\ \text{GF} \\ \left[ \begin{array}{l} \text{EXPN} \left[ \begin{array}{l} \text{HEAD verb} \\ \text{INDX } \underline{1} \\ \text{ILLOCFORCE int err} \end{array} \right] \end{array} \right] \\ \text{ACTNT} [\text{ACT1 } \underline{1}] \end{array} \right]$	det blir et hovedspørsmål hvem som snakker	it becomes a main theme who talks
copExpnN-expnINTERRyn	$\left[ \begin{array}{l} \text{HEAD copula} \\ \left[ \begin{array}{l} \text{SUBJ [INDX explet]} \\ \text{SECPRD noun} \end{array} \right] \\ \text{GF} \\ \left[ \begin{array}{l} \text{EXPN} \left[ \begin{array}{l} \text{HEAD y-n-comp} \\ \text{INDX } \underline{1} \\ \text{ILLOCFORCE int err} \end{array} \right] \end{array} \right] \\ \text{ACTNT} [\text{ACT1 } \underline{1}] \end{array} \right]$	det blir et hovedspørsmål om han fortsetter	it becomes a main theme if he continues

copExpnPP-expnDECL	$\left[ \begin{array}{l} \text{HEAD copula} \\ \left[ \begin{array}{l} \text{SUBJ [INDX explet]} \\ \text{SECPRD [HEAD prep]} \end{array} \right] \\ \text{GF} \left[ \begin{array}{l} \text{EXPN} \left[ \begin{array}{l} \text{HEAD decl-comp} \\ \text{INDX [1]} \\ \text{ILLOCFORCE decl} \end{array} \right] \end{array} \right] \\ \text{ACTNT [ACT1 [1]]} \end{array} \right]$	det blir under tvil at han fortsetter	it will be under doubt that he continues
--------------------	---	---	--

copExpnPP-expnINTERRyn	$\left[ \begin{array}{l} \text{HEAD copula} \\ \left[ \begin{array}{l} \text{SUBJ [INDX explet]} \\ \text{SECPRD prep} \end{array} \right] \\ \text{GF} \left[ \begin{array}{l} \text{EXPN} \left[ \begin{array}{l} \text{HEAD y-n-comp} \\ \text{INDX [1]} \\ \text{ILLOCFORCE int err} \end{array} \right] \end{array} \right] \\ \text{ACTNT [ACT1 [1]]} \end{array} \right]$	det blir under kontinuerlig vurdering om han fortsetter i stillingen	it will be under continued considerati on whether he continues in the position
------------------------	--	--	---

copIdAbsinf	$\left[ \begin{array}{l} \text{HEAD copula} \\ \left[ \begin{array}{l} \text{SUBJ [INDX [1]]} \\ \text{IDNT [HEAD inf]} \\ \text{INDX [2]} \end{array} \right] \\ \text{GF} \left[ \begin{array}{l} \text{IDNT [HEAD inf]} \\ \text{INDX [2]} \end{array} \right] \\ \text{ACTNT} \left[ \begin{array}{l} \text{ACT1 [1]} \\ \text{ACT2 [2]} \end{array} \right] \\ \text{PRED identical} \end{array} \right]$	en slik avtale blir å avbryte samarbeidet	such a deal will be to discontinue the cooperation  Comment: Identity copula constructions are analyzed as 2- participant, with 'IDNT' as GF of the second participant.
-------------	--	---	---

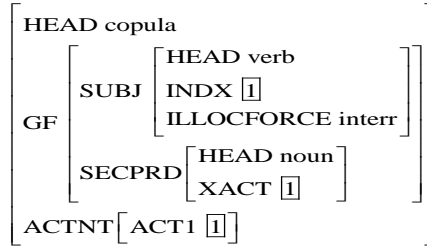
copIdAbsinf-suAbsinf	$\left[ \begin{array}{l} \text{HEAD copula} \\ \left[ \begin{array}{l} \text{SUBJ [HEAD inf]} \\ \text{INDX [1]} \end{array} \right] \\ \text{GF} \left[ \begin{array}{l} \text{IDNT [HEAD inf]} \\ \text{INDX [2]} \end{array} \right] \\ \text{ACTNT} \left[ \begin{array}{l} \text{ACT1 [1]} \\ \text{ACT2 [2]} \end{array} \right] \\ \text{PRED identical} \end{array} \right]$	å inngå en slik avtale blir å avbryte samarbeidet	to enter into such a deal will be to discontinue the cooperation
----------------------	--	--	--

copIdDECL	$\left[ \begin{array}{l} \text{HEAD copula} \\ \left[ \begin{array}{l} \text{SUBJ [INDX [1]]} \\ \text{IDNT [HEAD decl-comp]} \\ \text{INDX [2]} \end{array} \right] \\ \text{GF} \left[ \begin{array}{l} \text{IDNT [HEAD decl-comp]} \\ \text{INDX [2]} \end{array} \right] \\ \text{ACTNT} \left[ \begin{array}{l} \text{ACT1 [1]} \\ \text{ACT2 [2]} \end{array} \right] \\ \text{PRED identical} \end{array} \right]$	innholdet i avtalen blir at vi frastår eiendommen	the content of the deal will be that we relinquish the property
-----------	--	--	---

copIdN	$\left[ \begin{array}{l} \text{HEAD copula} \\ \left[ \begin{array}{l} \text{SUBJ [INDX [1]]} \\ \text{IDNT [HEAD noun]} \\ \text{INDX [2]} \end{array} \right] \\ \text{GF} \left[ \begin{array}{l} \text{IDNT [HEAD noun]} \\ \text{INDX [2]} \end{array} \right] \\ \text{ACTNT} \left[ \begin{array}{l} \text{ACT1 [1]} \\ \text{ACT2 [2]} \end{array} \right] \\ \text{PRED identical} \end{array} \right]$	han blir den nye representanten	he becomes the new representati ve
--------	--	------------------------------------	---

copIdINTERRyn	$\left[ \begin{array}{l} \text{HEAD copula} \\ \text{GF} \left[ \begin{array}{l} \text{SUBJ} \left[ \text{INDX } \boxed{1} \right] \\ \text{IDNT} \left[ \begin{array}{l} \text{HEAD y-n-comp} \\ \text{INDX } \boxed{2} \\ \text{ILLOCFORCE interr} \end{array} \right] \end{array} \right] \\ \text{ACTNT} \left[ \begin{array}{l} \text{PRED identical} \\ \text{ACT1 } \boxed{1} \\ \text{ACT2 } \boxed{2} \end{array} \right] \end{array} \right]$	spørsmålet blir om han kommer	the question will be whether he comes
copIdINTERRwh	$\left[ \begin{array}{l} \text{HEAD copula} \\ \text{GF} \left[ \begin{array}{l} \text{SUBJ} \left[ \text{INDX } \boxed{1} \right] \\ \text{IDNT} \left[ \begin{array}{l} \text{HEAD verb} \\ \text{INDX } \boxed{2} \\ \text{ILLOCFORCE interr} \end{array} \right] \end{array} \right] \\ \text{ACTNT} \left[ \begin{array}{l} \text{PRED identical} \\ \text{ACT1 } \boxed{1} \\ \text{ACT2 } \boxed{2} \end{array} \right] \end{array} \right]$	spørsmålet blir hvem som kommer	the question will be who comes
copImpersAdjLoc	$\left[ \begin{array}{l} \text{HEAD copula} \\ \text{GF} \left[ \begin{array}{l} \text{SUBJ} \left[ \text{HEAD pron-expl} \right] \\ \text{SECP RD} \left[ \begin{array}{l} \text{HEAD adj} \\ \text{ACTNT} \left[ \text{PRED } \boxed{1} \right] \end{array} \right] \\ \text{ADVBL} \left[ \text{INDX } \boxed{2} \right] \end{array} \right] \\ \text{ACTNT} \left[ \begin{array}{l} \text{PRED } \boxed{1} \\ \text{LOC } \boxed{2} \end{array} \right] \end{array} \right]$	det er fint i Finnmark	it is fine in Finnmark
copN	$\left[ \begin{array}{l} \text{HEAD copula} \\ \text{GF} \left[ \begin{array}{l} \text{SUBJ} \left[ \text{INDX } \boxed{1} \right] \\ \text{SECP RD} \left[ \begin{array}{l} \text{HEAD noun} \\ \text{XACT } \boxed{1} \end{array} \right] \end{array} \right] \\ \text{ACTNT} \left[ \text{ACT1 } \boxed{1} \right] \end{array} \right]$	han er bonde	he is a farmer
copN-suAbsinf	$\left[ \begin{array}{l} \text{HEAD copula} \\ \text{GF} \left[ \begin{array}{l} \text{SUBJ} \left[ \begin{array}{l} \text{HEAD inf} \\ \text{INDX } \boxed{1} \end{array} \right] \\ \text{SECP RD} \left[ \begin{array}{l} \text{HEAD noun} \\ \text{XACT } \boxed{1} \end{array} \right] \end{array} \right] \\ \text{ACTNT} \left[ \text{ACT1 } \boxed{1} \right] \end{array} \right]$	å inngå denne avtalen er en skandale	to enter this deal is a scandal
copN-suDECL	$\left[ \begin{array}{l} \text{HEAD copula} \\ \text{GF} \left[ \begin{array}{l} \text{SUBJ} \left[ \begin{array}{l} \text{INDX } \boxed{1} \\ \text{ILLOCFORCE decl} \end{array} \right] \\ \text{SECP RD} \left[ \begin{array}{l} \text{HEAD noun} \\ \text{XACT } \boxed{1} \end{array} \right] \end{array} \right] \\ \text{ACTNT} \left[ \text{ACT1 } \boxed{1} \right] \end{array} \right]$	at han får komme er en skandale	that he is eligible for coming is a scandal

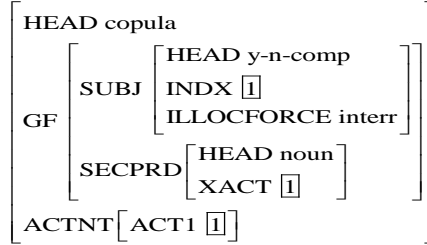
copN-suINTERRwh



hvem som  
vinner er et  
spørsmål

who will  
win is a  
question

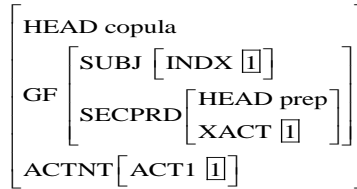
copN-suINTERRyn



om han vinner er  
et spørsmål

whether he  
will win is a  
question

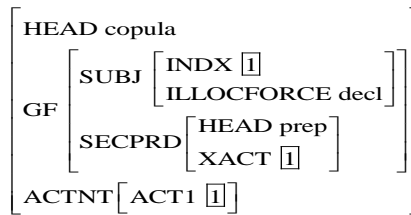
copPP



hun er i  
Finnmark

she is in  
Finnmark

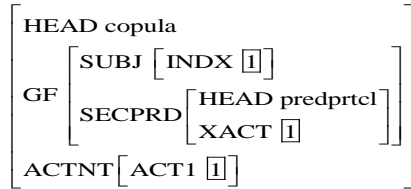
copPP-suDECL



at han får  
komme er under  
sterk tvil

that he gets  
admitted is  
under  
strong  
doubt

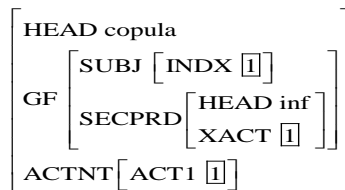
copPredprtcl



hun er som en  
ninja

she is like a  
ninja

copToFind

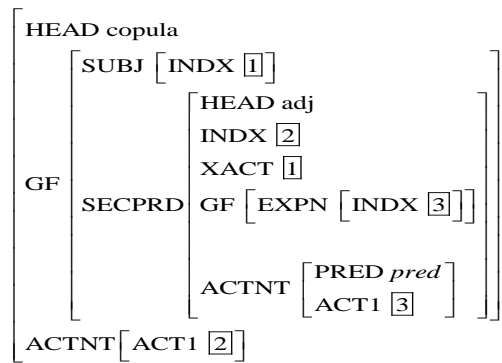


han er å treffe  
på strand-  
eiendommen

he is to be  
met with at  
the beach  
property

Comment: What  
here acts as  
XACT is not the  
understood  
subject of the  
infinitive, but a  
wh-operator  
binding an  
internal  
argument of the  
infinitival clause.

copToughAdj

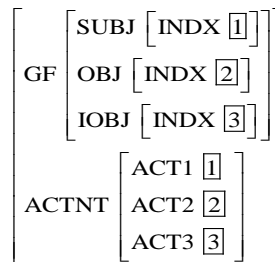


han er hyggelig å snakke med

Comment:  
The 'Tough Movement' construction. What here acts as XACT is not the understood subject of the infinitive, but a wh-operator binding an internal argument of the infinitival clause. *Pred* is the predicate expressed by the adjective ('talking with him is pleasant').

he is pleasant to talk with

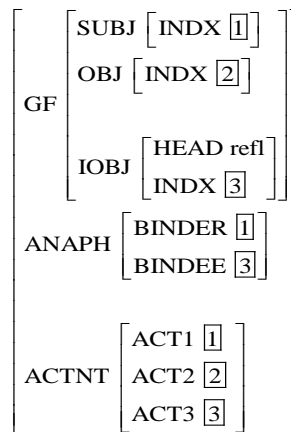
ditr



de yter oss kompensasjon

they provide us compensation

ditr-iobRefl



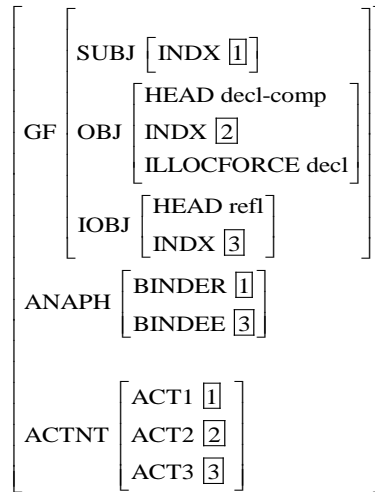
hun lager seg en modell

she makes herself a model

Comment:  
An alternative representation of anaphora binding may be using the same index. However, co-indexing in the present system will entail identical specification of possible role and 'sense' related features, and these might differ for the participant roles.

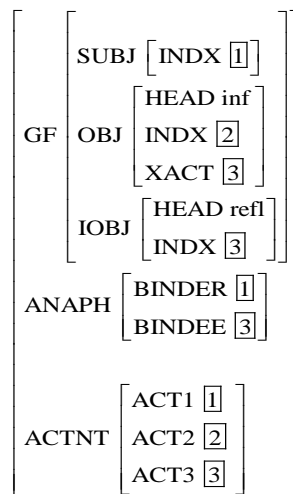


ditr-iobRefl-obDECL



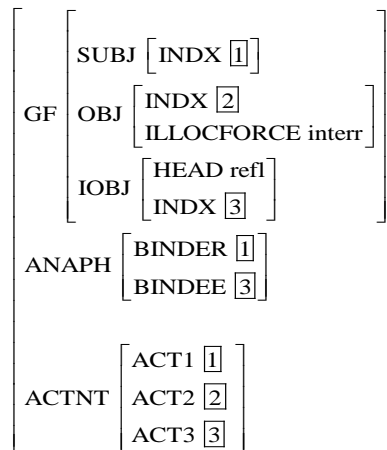
hun merker seg at du kommer  
he notesR that you are coming

ditr-iobRefl-obEqIobInf



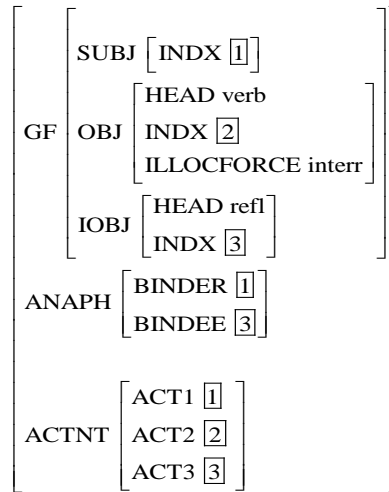
hun motsetter seg å skulle åpne paraden  
she resistsR to have to open the parade

ditr-iobRefl-obINTERR



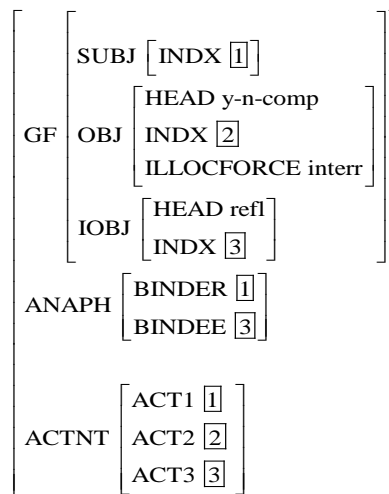
jeg tenker meg hva det er  
I imagineR what it is

ditr-iobRefl-obINTERRwh



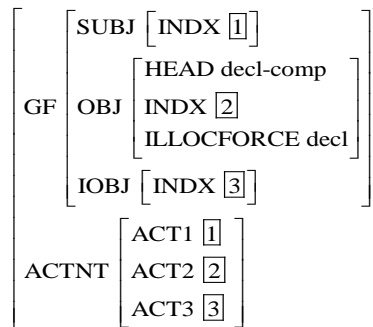
han undrer seg hvem som kommer  
he wondersR who is coming

ditr-iobRefl-obINTERRyn



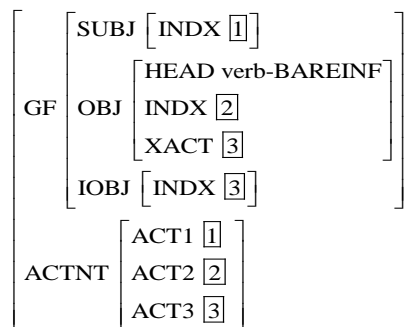
han undrer seg om vi kommer  
he wondersR whether we are coming

ditr-obDECL



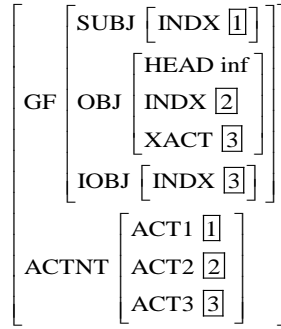
hun tilgir oss at vi forløp oss  
she forgives us that we made a faux pas

ditr-obEqlobBareinf



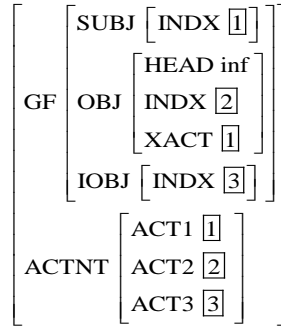
hun ber dem komme  
she asksI them to come

ditr-obEqlobInf



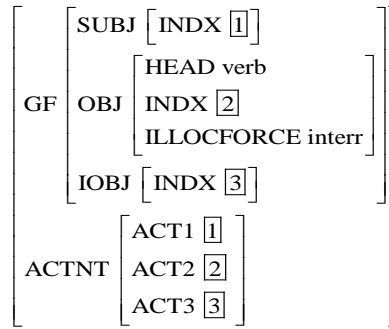
jeg befaler deg å gå I order you to go

ditr-obEqSuInf



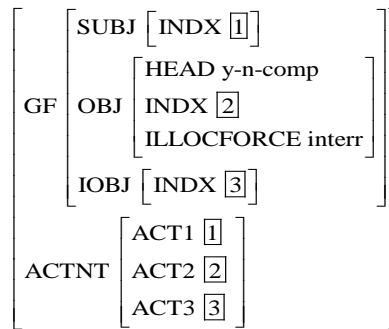
hun garanterer dem å bidra she guarantees them to contribute

ditr-obINTERRwh



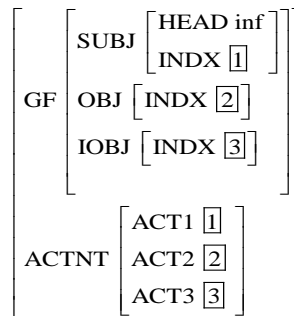
vi innprenter dem hva som skal gjøres we tell them what is to be done

ditr-obINTERRyn



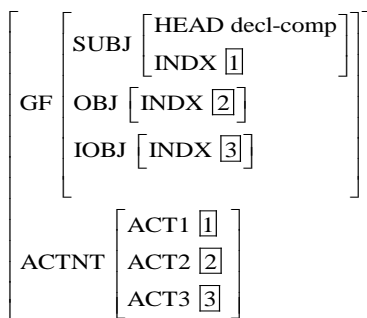
instrumentet viser oss om det blir værromslag the instrument tell us whether there will be a weather change

ditr-suAbsinf



å si slikt frarøver politikerne respekten to say such things deprivesP politicians of their respect

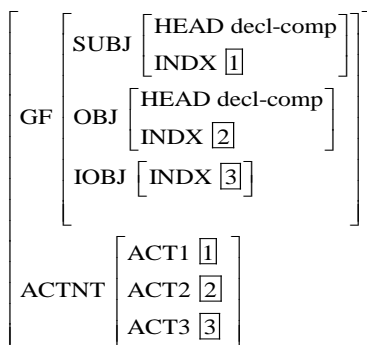
ditr-suDECL



at saken  
gjenåpnes gir oss  
mot

that the  
case is  
reopened  
gives us  
courage

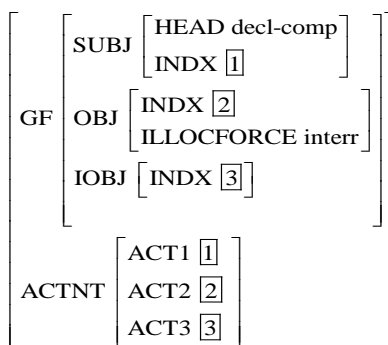
ditr-suDECL-obDECL



at de er så ekstra  
vennlige viser  
oss at de har  
baktanker

that they  
are so  
utterly  
friendly  
shows us  
that they  
have back-  
thoughts

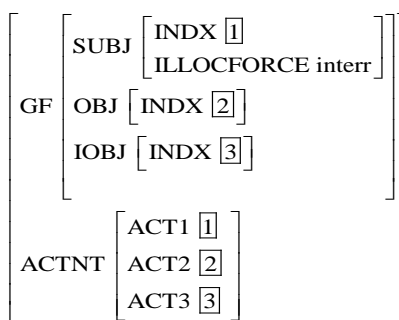
ditr-suDECL-obINTERR



at de er så ekstra  
vennlige viser  
oss hvor  
pengene  
kommer fra

that they  
applaud  
shows us  
how they  
think

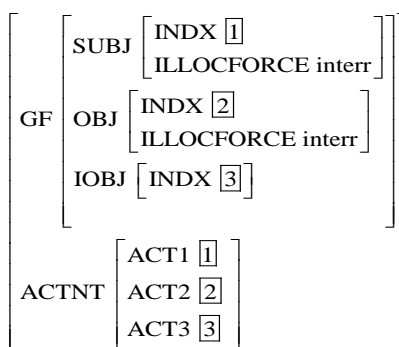
ditr-suINTERR



hvem som  
kommer vil vise  
oss planen

who comes  
will show us  
the plan

ditr-suINTERR-obINTERR



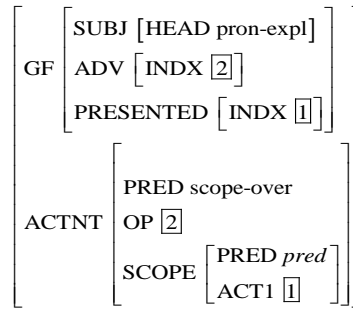
hvem som  
kommer vil vise  
oss hva som  
kommer til å skje

who comes  
will show us  
what will  
happen

ditrExpnSu-obMeas-expnEqlobInf	$\left[ \begin{array}{l} \text{GF} \left[ \begin{array}{l} \text{SUBJ} [\text{HEAD pron-expl}] \\ \text{OBJ} [\text{INDX } 2] \\ \text{IOBJ} [\text{INDX } 3] \\ \text{EXPN} \left[ \begin{array}{l} \text{HEAD inf} \\ \text{INDX } 4 \\ \text{XACT } 3 \end{array} \right] \end{array} \right] \\ \text{ACTNT} \left[ \begin{array}{l} \text{ACT1 } 4 \\ \text{ACT2 } 2 \\ \text{ACT3 } 3 \end{array} \right] \end{array} \right]$	det koster henne mye krefter å slåss alene      it costs her much effort to fight alone
ditrObl-oblPRTOFiob	$\left[ \begin{array}{l} \text{GF} \left[ \begin{array}{l} \text{SUBJ} [\text{INDX } 1] \\ \text{OBJ} [\text{INDX } 2] \\ \text{IOBJ} [\text{INDX } 3] \\ \text{OBL} \left[ \begin{array}{l} \text{INDX } 4 \\ \text{GF} [\text{GOV} [\text{INDX } 5]] \end{array} \right] \end{array} \right] \\ \text{ACTNT} \left\langle \left[ \begin{array}{l} \text{ACT1 } 1 \\ \text{ACT2 } 2 \\ \text{ACT3 } 3 \\ \text{ACTobl } 4 \end{array} \right], \left[ \begin{array}{l} \text{PRED part-of} \\ \text{ACT1 } 5 \\ \text{ACT2 } 3 \end{array} \right] \right\rangle \end{array} \right]$	ekornet kaster oss nøtter i hodet      the squirrel throws us nuts on our heads
impers	$\left[ \begin{array}{l} \text{GF} [\text{SUBJ} [\text{HEAD pron-expl}]] \\ \text{ACTNT} [ ] \end{array} \right]$	det hagler      it hails
impersObl-oblN	$\left[ \begin{array}{l} \text{GF} \left[ \begin{array}{l} \text{SUBJ} [\text{HEAD pron-expl}] \\ \text{OBL} \left[ \begin{array}{l} \text{INDX } 1 \\ \text{GF} [\text{GOV} [\text{HEAD noun}]] \end{array} \right] \end{array} \right] \\ \text{ACTNT} [\text{ACTobl } 1] \end{array} \right]$	det går i døren      "someone moves by the door"
impersPrtcl	$\left[ \begin{array}{l} \text{GF} \left[ \begin{array}{l} \text{SUBJ} [\text{HEAD pron-expl}] \\ \text{PRTCL} \left[ \begin{array}{l} \text{HEAD adv} \\ \text{INDX } 1 \end{array} \right] \end{array} \right] \\ \text{ACTNT} [\text{ACTobl } 1] \end{array} \right]$	det tykner til      "it gets more overcast"
intr	$\left[ \begin{array}{l} \text{GF} [\text{SUBJ} [\text{INDX } 1]] \\ \text{ACTNT} [\text{ACT1 } 1] \end{array} \right]$	klærne tørker      the clothes dry
intr-RESULT	$\left[ \begin{array}{l} \text{GF} [\text{SUBJ} [\text{INDX } 1]] \\ \text{ACTNT} [\text{ACT1 } 1] \\ \text{SIT result} \end{array} \right]$	pengebidragene innløper      the cash contributi ons come in
intr-suAbsinf	$\left[ \begin{array}{l} \text{GF} [\text{SUBJ} [\text{HEAD inf}]] \\ \text{ACTNT} [\text{ACT1 } 1] \end{array} \right]$	å slåss alene koster      to fight alone costs

intr-suDECL	$\left[ \begin{array}{l} \text{GF} \left[ \begin{array}{l} \text{SUBJ} \left[ \begin{array}{l} \text{HEAD decl-comp} \\ \text{INDX } \boxed{1} \end{array} \right] \\ \text{ACTNT} \left[ \text{ACT1 } \boxed{1} \right] \end{array} \right] \end{array} \right]$	at noe holdes skjult ryktes	that something is kept secret is rumouredNS
intr-suDir	$\left[ \begin{array}{l} \text{GF} \left[ \begin{array}{l} \text{SUBJ} \left[ \text{INDX } \boxed{1} \right] \end{array} \right] \\ \text{ACTNT} \left[ \text{ACT1 } \boxed{1} [\text{ROLE oriented-object}] \right] \end{array} \right]$	de ryker ut av turneringen	they drop out of the tournament
intr-suDirTemp	$\left[ \begin{array}{l} \text{GF} \left[ \begin{array}{l} \text{SUBJ} \left[ \text{INDX } \boxed{1} \right] \end{array} \right] \\ \text{ACTNT} \left[ \text{ACT1 } \boxed{1} [\text{ROLE timeoriented-object}] \right] \end{array} \right]$	møtet varer til middag	the meeting lasts until dinner
intr-suINTERR	$\left[ \begin{array}{l} \text{GF} \left[ \begin{array}{l} \text{SUBJ} \left[ \begin{array}{l} \text{INDX } \boxed{1} \\ \text{ILLOCFORCE interr} \end{array} \right] \end{array} \right] \\ \text{ACTNT} \left[ \text{ACT1 } \boxed{1} \right] \end{array} \right]$	hva som vil skje nå spørs	what will now happenNS is a question
intrAdv	$\left[ \begin{array}{l} \text{GF} \left[ \begin{array}{l} \text{SUBJ} \left[ \text{INDX } \boxed{1} \right] \\ \text{ADV} \left[ \text{INDX } \boxed{2} \right] \end{array} \right] \\ \text{ACTNT} \left[ \begin{array}{l} \text{PRED scope-over} \\ \text{OP } \boxed{2} \\ \text{SCOPE} \left[ \begin{array}{l} \text{PRED } \textit{pred} \\ \text{ACT1 } \boxed{1} \end{array} \right] \end{array} \right] \end{array} \right]$	det ender godt	it ends well
intrAdv-suDECL	$\left[ \begin{array}{l} \text{GF} \left[ \begin{array}{l} \text{SUBJ} \left[ \begin{array}{l} \text{HEAD decl-comp} \\ \text{INDX } \boxed{1} \end{array} \right] \\ \text{ADV} \left[ \text{INDX } \boxed{2} \right] \end{array} \right] \\ \text{ACTNT} \left[ \begin{array}{l} \text{PRED scope-over} \\ \text{OP } \boxed{2} \\ \text{SCOPE} \left[ \begin{array}{l} \text{PRED } \textit{pred} \\ \text{ACT1 } \boxed{1} \end{array} \right] \end{array} \right] \end{array} \right]$	det skjer ofte at folk blir syke	it often happens that people get sick
intrAdvExpn-expnDECL	$\left[ \begin{array}{l} \text{GF} \left[ \begin{array}{l} \text{SUBJ} \left[ \text{HEAD pron-expl} \right] \\ \text{ADV} \left[ \text{INDX } \boxed{2} \right] \\ \text{EXPN} \left[ \begin{array}{l} \text{HEAD decl-comp} \\ \text{INDX } \boxed{1} \end{array} \right] \end{array} \right] \\ \text{ACTNT} \left[ \begin{array}{l} \text{PRED scope-over} \\ \text{OP } \boxed{2} \\ \text{SCOPE} \left[ \begin{array}{l} \text{PRED } \textit{pred} \\ \text{ACT1 } \boxed{1} \end{array} \right] \end{array} \right] \end{array} \right]$	det skjer ofte ulykker	there often occur accidents

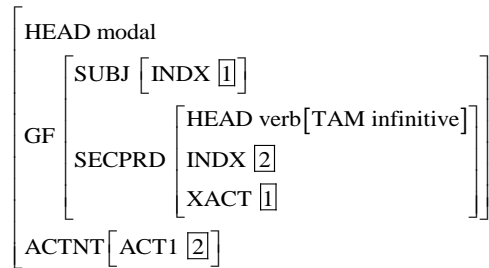
intrAdvPresnt



at folk blir syke  
skjer ofte

that people  
get sick  
often  
happens

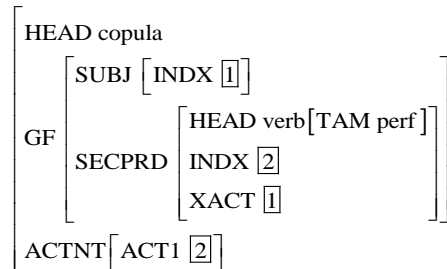
intrAuxmodScpr-scSuNrg-scBareinf



han skal gå

he shall go

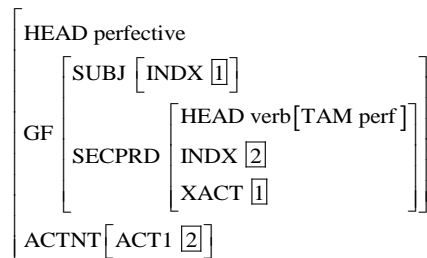
intrAuxpassScpr-scSuNrg-scPass



han er skutt

he is shot

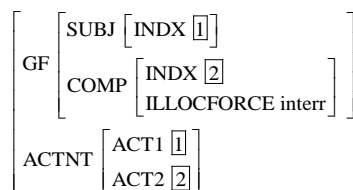
intrAuxperfScpr-scSuNrg-scPerf



han har kommet

he has  
come

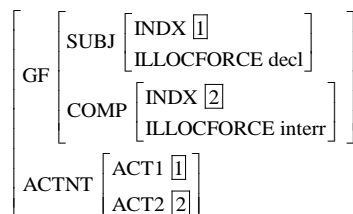
intrComp-compINTERR



hun husker  
hvem som  
kommer

she recalls  
who comes

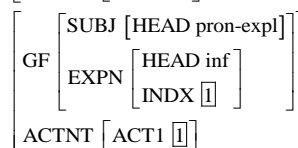
intrComp-suDECL-compINTERR



at de støtter  
ham beviser  
hvem som står  
bak

that they  
support him  
proves who  
stands  
behind

intrExpn-expnAbsinf



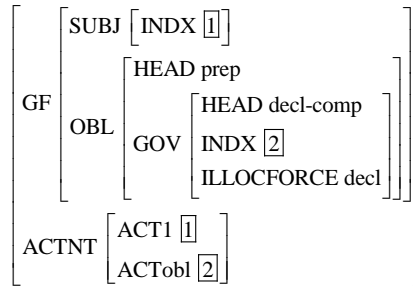
det mangerer å  
løse den siste  
oppgaven

it fails to  
solve the  
last task

intrExpn-expnDECL	$\left[ \begin{array}{l} \text{GF} \left[ \begin{array}{l} \text{SUBJ} [\text{HEAD pron-expl}] \\ \text{EXPN} \left[ \begin{array}{l} \text{INDX } \boxed{1} \\ \text{ILLOCFORCE decl} \end{array} \right] \end{array} \right] \\ \text{ACTNT} [\text{ACT1 } \boxed{1}] \end{array} \right]$	det trengs at en spesialist ser på det	it is necessaryN S that a specialist looks at it
intrExpn-expnINTERR	$\left[ \begin{array}{l} \text{GF} \left[ \begin{array}{l} \text{SUBJ} [\text{HEAD pron-expl}] \\ \text{EXPN} \left[ \begin{array}{l} \text{INDX } \boxed{1} \\ \text{ILLOCFORCE interr} \end{array} \right] \end{array} \right] \\ \text{ACTNT} [\text{ACT1 } \boxed{1}] \end{array} \right]$	det ryktes hva som holdes skjult	it is rumouredN S what is being kept hidden
intrLghtScpr-scAdj	$\left[ \begin{array}{l} \text{GF} \left[ \begin{array}{l} \text{SUBJ} [\text{INDX } \boxed{1}] \\ \text{SECPRD} \left[ \begin{array}{l} \text{HEAD adj} \\ \text{XACT } \boxed{1} \\ \text{SIT } \boxed{2} \end{array} \right] \end{array} \right] \\ \text{ACTNT} \left\langle \left[ \begin{array}{l} \text{PRED } \textit{pred} \\ \text{ACT1 } \boxed{1} \end{array} \right], \left[ \begin{array}{l} \text{PRED } \textit{pred2} \\ \text{ACT1 } \boxed{1} \end{array} \right] \right\rangle \\ \text{SIT } \boxed{2} \end{array} \right]$	kjelleren står tom	the basement stands empty
intrLghtScpr-scPredprtcl	$\left[ \begin{array}{l} \text{GF} \left[ \begin{array}{l} \text{SUBJ} [\text{INDX } \boxed{1}] \\ \text{SECPRD} \left[ \begin{array}{l} \text{HEAD predprtcl} \\ \text{XACT } \boxed{1} \\ \text{SIT } \boxed{2} \end{array} \right] \end{array} \right] \\ \text{ACTNT} \left\langle \left[ \begin{array}{l} \text{PRED } \textit{pred} \\ \text{ACT1 } \boxed{1} \end{array} \right], \left[ \begin{array}{l} \text{PRED } \textit{pred2} \\ \text{ACT1 } \boxed{1} \end{array} \right] \right\rangle \\ \text{SIT } \boxed{2} \end{array} \right]$	han debuterer som aktør	she makes debutNS as author
intrLghtScpr-scSuNrg-scPredprtcl	$\left[ \begin{array}{l} \text{GF} \left[ \begin{array}{l} \text{SUBJ} [\text{INDX } \boxed{1}] \\ \text{SECPRD} \left[ \begin{array}{l} \text{HEAD predprtcl} \\ \text{XACT } \boxed{1} \\ \text{SIT } \boxed{2} \end{array} \right] \end{array} \right] \\ \text{ACTNT} \left\langle \left[ \begin{array}{l} \text{PRED } \textit{pred} \\ \text{ACT1 } \boxed{1} \end{array} \right], \left[ \begin{array}{l} \text{PRED } \textit{pred2} \\ \text{ACT1 } \boxed{1} \end{array} \right] \right\rangle \\ \text{SIT } \boxed{2} \end{array} \right]$	han fremstår som hovedtaler	he stands upNS as main speaker
intrObl-oblAbsinf	$\left[ \begin{array}{l} \text{GF} \left[ \begin{array}{l} \text{SUBJ} [\text{INDX } \boxed{1}] \\ \text{OBL} \left[ \begin{array}{l} \text{HEAD prep} \\ \text{GOV} \left[ \begin{array}{l} \text{HEAD inf} \\ \text{INDX } \boxed{2} \end{array} \right] \end{array} \right] \end{array} \right] \\ \text{ACTNT} \left[ \begin{array}{l} \text{ACT1 } \boxed{1} \\ \text{ACTobl } \boxed{2} \end{array} \right] \end{array} \right]$	de bidrar til å løse problemene	they contribute to solving the problems



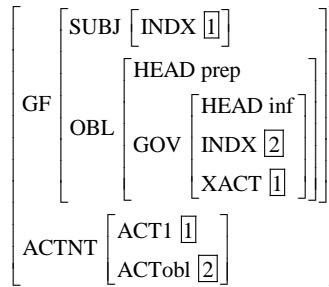
intrObl-oblDECL



de blåneker på  
at de visste noe

they denyP  
that they  
knew  
something

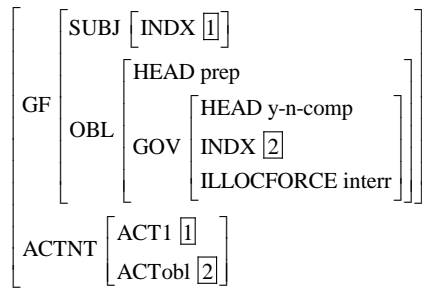
intrObl-oblEqSuInf



de bløffer om å  
ville nå  
klimamålene

they bluff  
about  
wishing to  
reach the  
climate  
goals

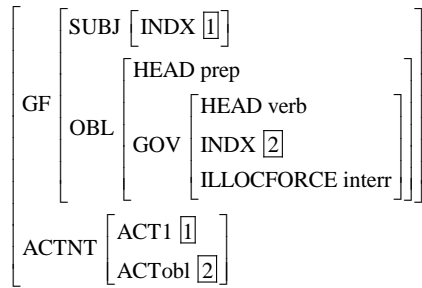
intrObl-oblINTERRyn



de fabler om  
hvorvidt de kan  
oppfinne en ny  
art

they  
fabulate  
about  
whether  
they can  
create a  
new species

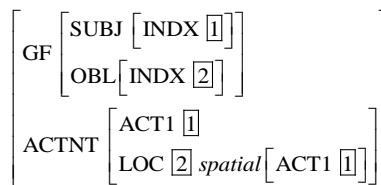
intrObl-oblINTERRwh



utfallet vil  
avhenge av  
hvem som  
kommer

the  
outcome  
will depend  
on who  
comes

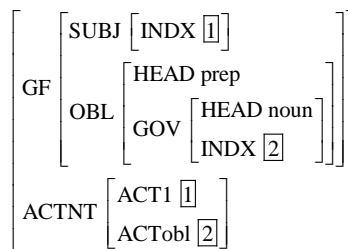
intrObl-oblLoc



de bor her

they live  
here

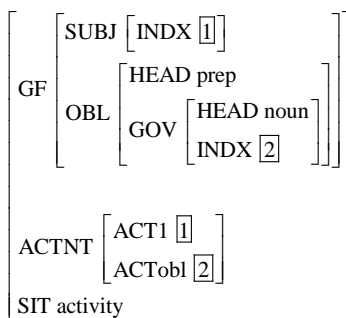
intrObl-oblIN



han bommer på  
målet

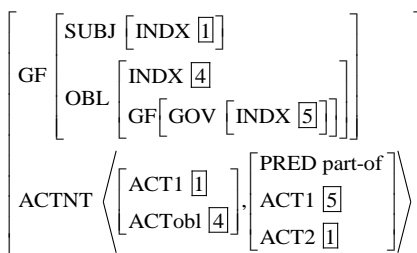
he missedP  
the target

intrObl-oblIN-ACTIVITY



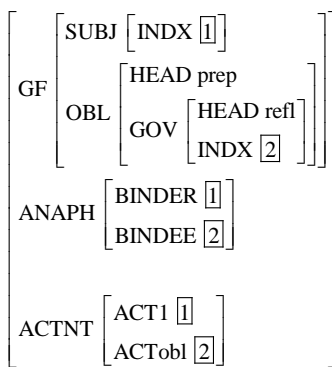
hun spiser på  
brødstykket      he eats of  
the bread

intrObl-oblPRTOFsu



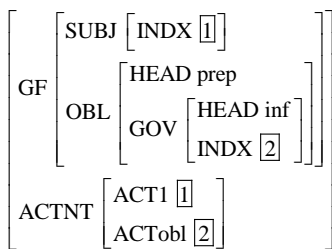
han fryser på  
ryggen      she freezes  
on her back

intrObl-oblRefI



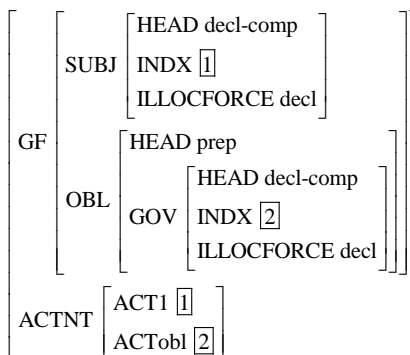
han rører på seg      he  
movesP,R

intrObl-suAbsinf



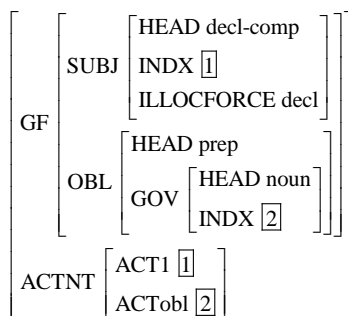
å spise reker  
minner om  
nedlagte havner      to eat  
shrimps  
reminds  
(one) of  
abandoned  
harbours

intrObl-suDECL-oblDECL



at kursen synker  
tyder på at det  
verste er over      that the  
price goes  
down  
indicatesP  
that the  
worst is  
over

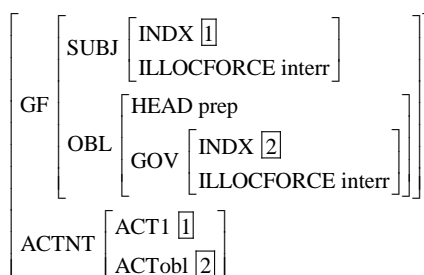
intrObl-suDECL-oblN



at han fikk jobb  
beror på deg

at he got a  
job is  
dueNS to  
you

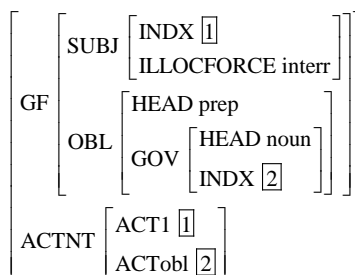
intrObl-suINTERR-oblINTERR



hvem som får  
kjøre kommer an  
på om været blir  
bra

who may  
drive  
dependsL  
on whether  
the weather  
gets good

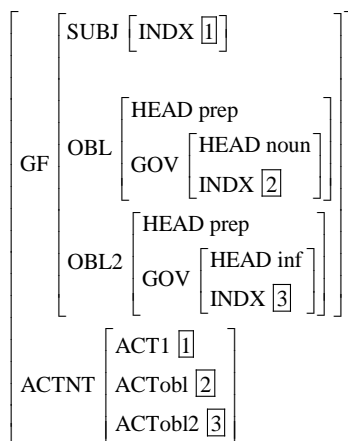
intrObl-suINTERR-oblN



om han får jobb  
vil avhenge av  
deg

whether he  
gets a job  
will depend  
on you

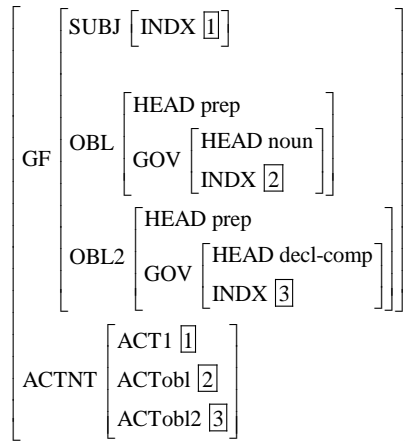
intrObl2-obl1N-obl2Absinf



vi konfererer  
med dem om å  
finne en løsning

we confer  
with them  
aboutl  
finding a  
solution

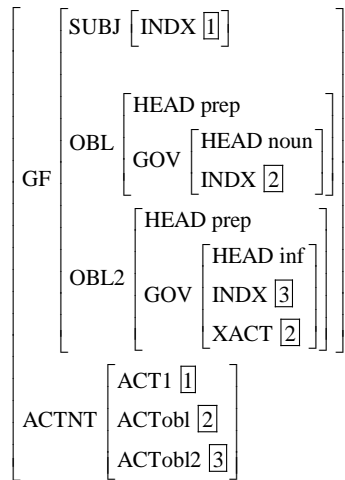
intrObl2-obl1N-obl2DECL



vi samtaler med dem om at man kan finne løsninger

we talk with them aboutT (the circumstance) that one can find a solution

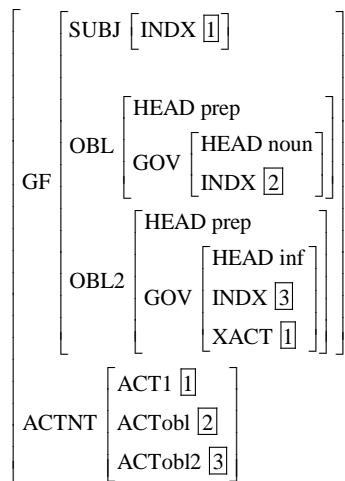
intrObl2-obl1N-obl2EqObl1Inf



vi skjenner på dem for å ha knust ruten

we scoldP them forI having broken the window glass

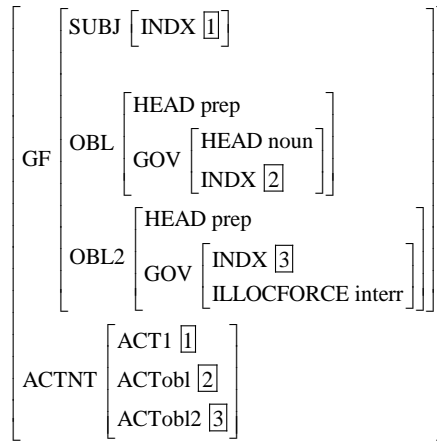
intrObl2-obl1N-obl2EqSuInf



de forhandler med geriljaen om å kunne komme ut

they negotiate with the guerilla aboutI getting out

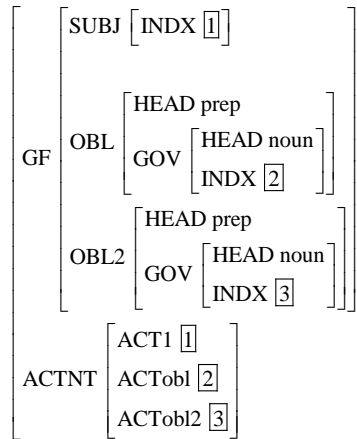
intrObl2-obl1N-obl2INTERR



vi underhandler med dem om hvorvidt vi kan få visse fordeler

we negotiate with them about whether we can get certain advantages

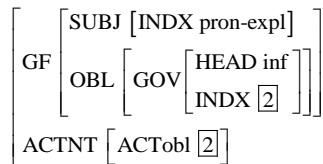
intrObl2-obl1N-obl2N



de kappkjører med prinsen om prisen

they race with the prince about the prize

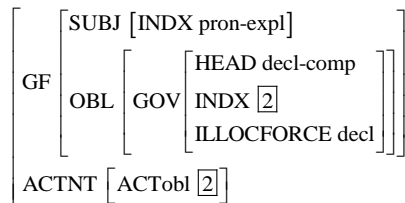
intrOblExInk-oblExInkAbsinf



det dages for å starte det endelige slag

it is timeNS forI starting the final battle

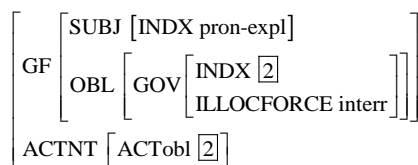
intrOblExInk-oblExInkDECL



det heller mot at det blir ekstraomganger

it tends towards that there will be extra time

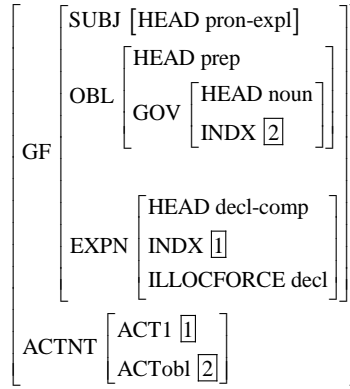
intrOblExInk-oblExInkINTERR



det dages for hvordan rettferdighet kan skje fyldest

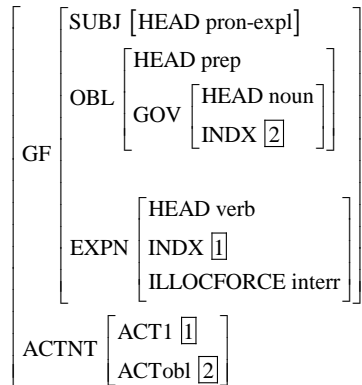
it is timeNS for how justice can be honored

intrOblExpn-expnDECL



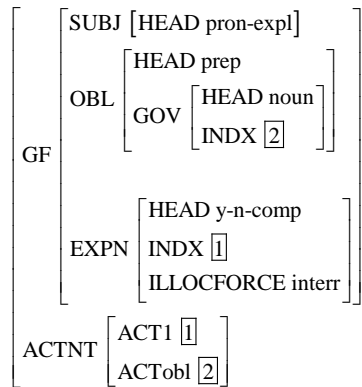
det avhenger av	it depends
deg at turen går	on you that
bra	the trip goes well

intrOblExpn-expnINTERRwh



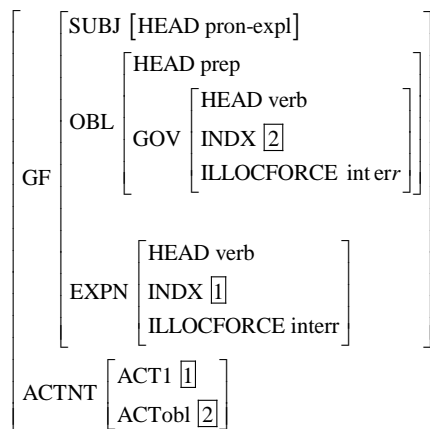
det avhenger av	it depends
deg hvem som	on you who
vil vinne	will win

intrOblExpn-expnINTERRyn



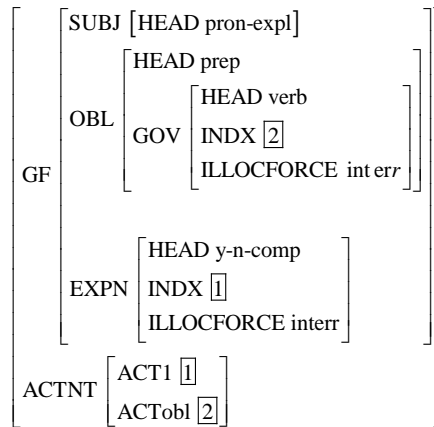
det vil avhenge	it will
av deg om turen	depend on
går bra	you whether the voyage goes well

intrOblExpn-oblINTERRwh-expnINTERRwh



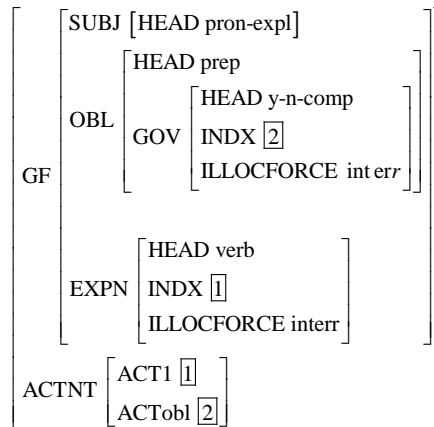
det vil bero på	it will
hvem som	depend on
kommer hvem	who comes
som vil vinne	who will win

intrOblExpn-oblINTERRwh-  
expnINTERRyn



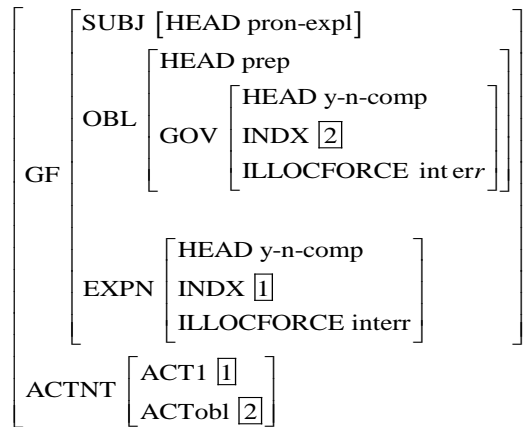
det vil avhenge av hvem som kommer hvorvidt vi får delta  
it will depend on who comes whether we may participate

intrOblExpn-oblINTERRyn-  
expnINTERRwh



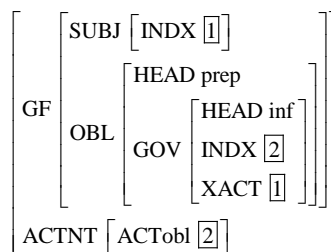
det vil avhenge av hvorvidt vi deltar hvem som vil vinne  
it will depend on whether we participate who will win

intrOblExpn-oblINTERRyn-  
expnINTERRyn



det vil avhenge av hvorvidt vi deltar om de vil vinne  
it will depend on whether we participate who will win

intrOblRais-oblRaisInf



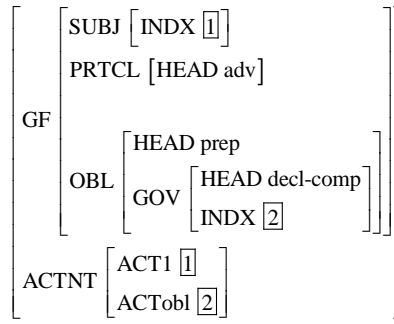
det tegner til å bli uvær  
it seemsP to become bad weather

intrPath-suDir-PUREORIENTATION	$\left[ \begin{array}{l} \text{GF} \left[ \begin{array}{l} \text{SUBJ} \left[ \text{INDX} \left[ 1 \right] \left[ \text{ROLE oriented-obj} \right] \right] \right] \\ \text{DIR} \left[ \text{HEAD dir-adpos} \right] \end{array} \right] \\ \\ \text{ACTNT} \left[ \text{ACT1} \left[ 1 \right] \right] \\ \text{SIT pureorientation} \end{array} \right]$	pilen peker mot øst	the arrow points towards east
intrPresnt	$\left[ \begin{array}{l} \text{GF} \left[ \begin{array}{l} \text{SUBJ} \left[ \text{HEAD pron-expl} \right] \\ \text{PRESENTED} \left[ \text{INDX} \left[ 1 \right] \right] \end{array} \right] \\ \text{ACTNT} \left[ \text{ACT1} \left[ 1 \right] \right] \end{array} \right]$	det trengs en spesialist	il faut un specialist
intrPresnt-RESULT	$\left[ \begin{array}{l} \text{GF} \left[ \begin{array}{l} \text{SUBJ} \left[ \text{HEAD pron-expl} \right] \\ \text{PRESENTED} \left[ \text{INDX} \left[ 1 \right] \right] \end{array} \right] \\ \\ \text{ACTNT} \left[ \text{ACT1} \left[ 1 \right] \right] \\ \text{SIT result} \end{array} \right]$	det hensvinner bevis	there disappears evidence
intrPresntDir	$\left[ \begin{array}{l} \text{GF} \left[ \begin{array}{l} \text{SUBJ} \left[ \text{HEAD pron-expl} \right] \\ \text{PRESENTED} \left[ \text{INDX} \left[ 1 \right] \left[ \text{ROLE oriented-obj} \right] \right] \end{array} \right] \\ \text{ACTNT} \left[ \text{ACT1} \left[ 1 \right] \right] \end{array} \right]$	det hopper en katt opp i stolen	there jumps a cat into the chair
intrPresntLoc	$\left[ \begin{array}{l} \text{GF} \left[ \begin{array}{l} \text{SUBJ} \left[ \text{HEAD pron-expl} \right] \\ \text{PRESENTED} \left[ \text{INDX} \left[ 1 \right] \left[ \text{ROLE located-obj} \right] \right] \\ \text{OBL} \left[ \text{INDX} \left[ 2 \right] \right] \end{array} \right] \\ \text{ACTNT} \left[ \begin{array}{l} \text{ACT1} \left[ 1 \right] \\ \text{LOC} \left[ 2 \right] \textit{spatial} \left[ \text{ACT1} \left[ 1 \right] \right] \end{array} \right] \end{array} \right]$	det står en kommode her	there stands a chest of drawers here
intrPresntObl-oblDECL	$\left[ \begin{array}{l} \text{GF} \left[ \begin{array}{l} \text{SUBJ} \left[ \text{HEAD pron-expl} \right] \\ \text{PRESENTED} \left[ \text{INDX} \left[ 1 \right] \right] \\ \text{OBL} \left[ \text{GF} \left[ \text{GOV} \left[ \begin{array}{l} \text{HEAD decl-comp} \\ \text{INDX} \left[ 2 \right] \\ \text{ILLOCFORCE decl} \end{array} \right] \right] \right] \end{array} \right] \\ \text{ACTNT} \left[ \begin{array}{l} \text{ACT1} \left[ 1 \right] \\ \text{ACTobl} \left[ 2 \right] \end{array} \right] \end{array} \right]$	det verserer rykter om at han kommer	there are circulating rumours aboutT him coming
intrPresntObl-oblINTERR	$\left[ \begin{array}{l} \text{GF} \left[ \begin{array}{l} \text{SUBJ} \left[ \text{HEAD pron-expl} \right] \\ \text{PRESENTED} \left[ \text{INDX} \left[ 1 \right] \right] \\ \text{OBL} \left[ \text{GF} \left[ \text{GOV} \left[ \begin{array}{l} \text{INDX} \left[ 2 \right] \\ \text{ILLOCFORCE interr} \end{array} \right] \right] \right] \end{array} \right] \\ \text{ACTNT} \left[ \begin{array}{l} \text{ACT1} \left[ 1 \right] \\ \text{ACTobl} \left[ 2 \right] \end{array} \right] \end{array} \right]$	det verserer rykter om hva vi har i vente	there are circulating rumours about what we may expect



intrPresntObl-obIN	$\left[ \begin{array}{l} \text{GF} \left[ \begin{array}{l} \text{SUBJ} [\text{HEAD pron-expl}] \\ \text{PRESENTED} [\text{INDX } 1] \\ \text{OBL} \left[ \text{GF} \left[ \text{GOV} \left[ \begin{array}{l} \text{HEAD noun} \\ \text{INDX } 2 \end{array} \right] \right] \right] \end{array} \right] \\ \text{ACTNT} \left[ \begin{array}{l} \text{ACT1 } 1 \\ \text{ACTobl } 2 \end{array} \right] \end{array} \right]$	det verserer rykter om ham	there are circulating rumours about him
intrPrtcl	$\left[ \begin{array}{l} \text{GF} \left[ \begin{array}{l} \text{SUBJ} [\text{INDX } 1] \\ \text{PRTCL} [\text{HEAD adv}] \end{array} \right] \\ \text{ACTNT} [\text{ACT1 } 1] \end{array} \right]$	de viker unna	they shy away
intrPrtcl-SUSTAINEDACTIVITY	$\left[ \begin{array}{l} \text{GF} \left[ \begin{array}{l} \text{SUBJ} [\text{INDX } 1] \\ \text{PRTCL} [\text{HEAD adv}] \end{array} \right] \\ \text{ACTNT} [\text{ACT1 } 1] \\ \text{SIT sustainedactivity} \end{array} \right]$	han holder på	he keeps on
intrPrtclExpn-expnAbsinf	$\left[ \begin{array}{l} \text{GF} \left[ \begin{array}{l} \text{SUBJ} [\text{HEAD pron-expl}] \\ \text{PRTCL} [\text{HEAD adv}] \\ \text{EXPN} \left[ \begin{array}{l} [\text{HEAD inf}] \\ \text{INDX } 1 \end{array} \right] \end{array} \right] \\ \text{ACTNT} [\text{ACT1 } 1] \end{array} \right]$	det hører med å snakke med pressen	it belongsL to talk with the press
intrPrtclExpn-expnDECL	$\left[ \begin{array}{l} \text{GF} \left[ \begin{array}{l} \text{SUBJ} [\text{HEAD pron-expl}] \\ \text{PRTCL} [\text{HEAD adv}] \\ \text{EXPN} \left[ \begin{array}{l} \text{INDX } 1 \\ \text{ILLOCFORCE decl} \end{array} \right] \end{array} \right] \\ \text{ACTNT} [\text{ACT1 } 1] \end{array} \right]$	det hører med at pressen stiller opp	it belongsL that the press appears
intrPrtclObl-oblAbsinf	$\left[ \begin{array}{l} \text{GF} \left[ \begin{array}{l} \text{SUBJ} [\text{INDX } 1] \\ \text{PRTCL} [\text{HEAD adv}] \\ \text{OBL} \left[ \begin{array}{l} \text{HEAD prep} \\ \text{GOV} \left[ \begin{array}{l} \text{HEAD inf} \\ \text{INDX } 2 \end{array} \right] \end{array} \right] \end{array} \right] \\ \text{ACTNT} \left[ \begin{array}{l} \text{ACT1 } 1 \\ \text{ACTobl } 2 \end{array} \right] \end{array} \right]$	de rakker ned på å samle inn penger	they slanderL,P,I collecting money

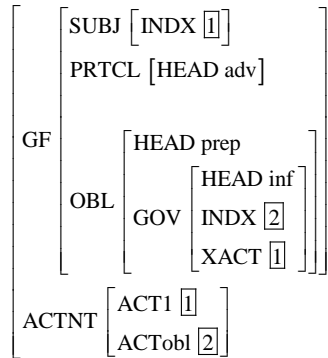
intrPrtclObl-oblDECL



vi ripper opp i at  
saken aldri be  
etterforsket

we rip up  
inT the case  
being never  
investigated

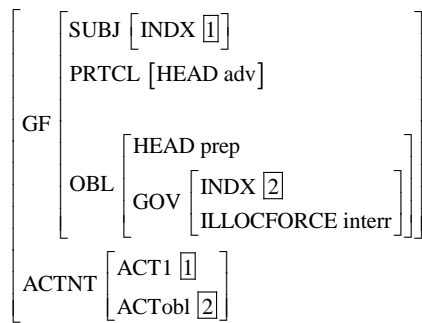
intrPrtclObl-oblEqSulnf



vi sjalter over til  
å snakke positivt

we switch  
over toL  
talking  
positively

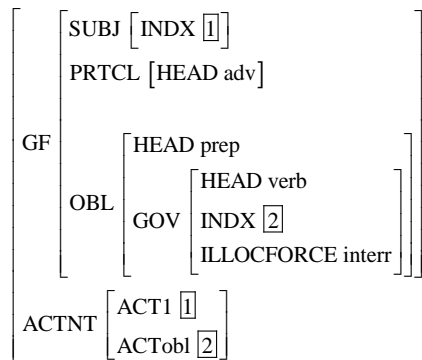
intrPrtclObl-oblINTERR



vi skværer opp i  
hvordan vi driver  
klubben

we set  
straightNS,L  
,I how we  
run the club

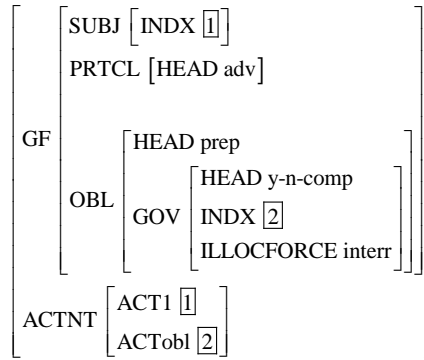
intrPrtclObl-oblINTERRwh



dette vil komme  
an på hvem som  
kommer

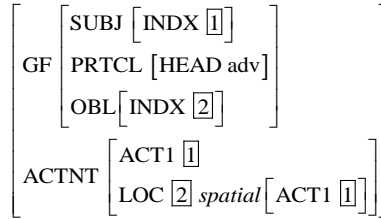
this  
dependsL  
on who  
comes

intrPrctlObl-oblINTERRyn



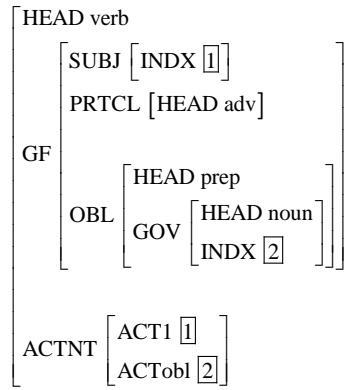
dette vil komme an på om været blir bra  
this dependsL on whether the weather is ok

intrPrctlObl-oblLoc



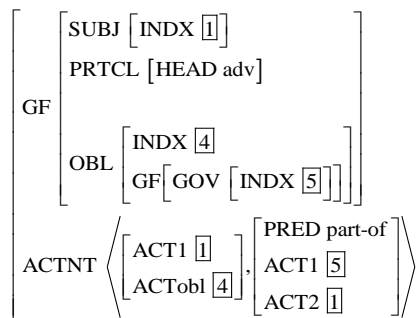
den munner ut i Rhinen  
the river runs out in the Rhine

intrPrctlObl-oblIN



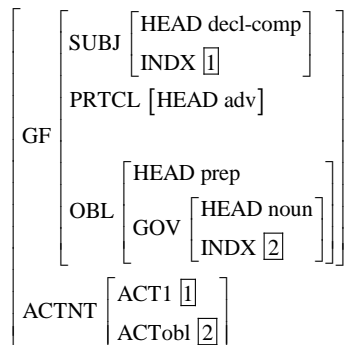
vi ripper opp i saken  
we rip up in the case

intrPrctlObl-oblPRTOFsu



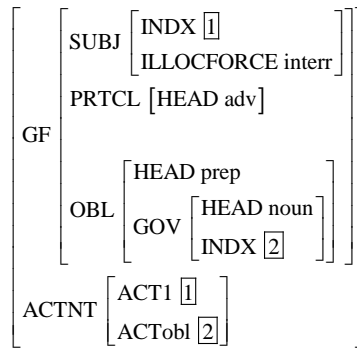
kvisten knekker av på midten  
the branch breaks off at the middle

intrPrctlObl-suDECL-oblIN



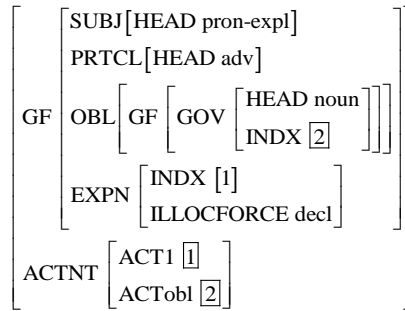
at han får denne jobben kommer an på anbefalingene  
that he gets the job dependsL on the recommendations

intrPrtclObl-suINTERR-obIN



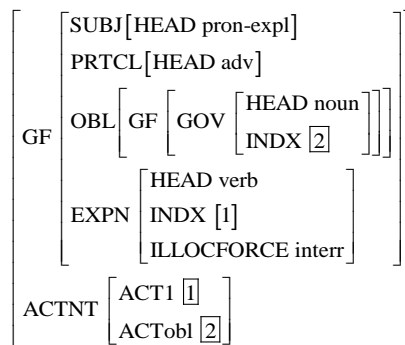
om han får jobb  
vil komme an på  
deg  
whether he  
gets the job  
dependsL  
on you

intrPrtclOblExpn-expnDECL



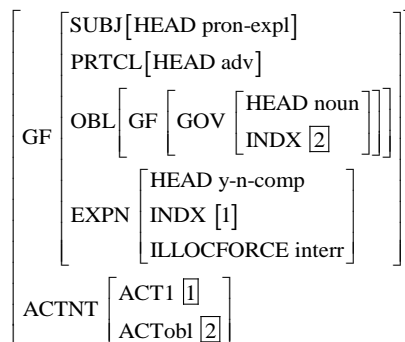
det kommer an  
på deg at denne  
turen går bra  
it dependsL  
on you that  
this tour  
goes well

intrPrtclOblExpn-expnINTERRwh



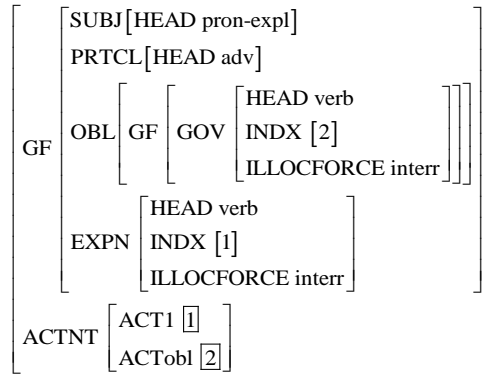
det vil komme  
an på deg hvem  
som vinner  
it dependsL  
on you who  
will win

intrPrtclOblExpn-expnINTERRyn



det vil komme  
an på deg om  
turen går bra  
it dependsL  
on you  
whether  
this tour  
goes well

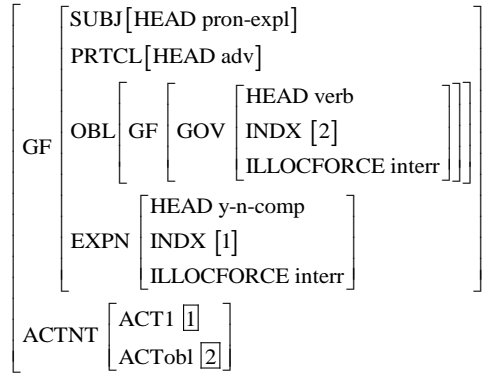
intrPrtclOblExpn-oblINTERRwh-  
expnINTERRwh



det vil komme  
an på hvem som  
kommer hvem  
som vil vinne

it dependsL  
on who  
comes who  
will win

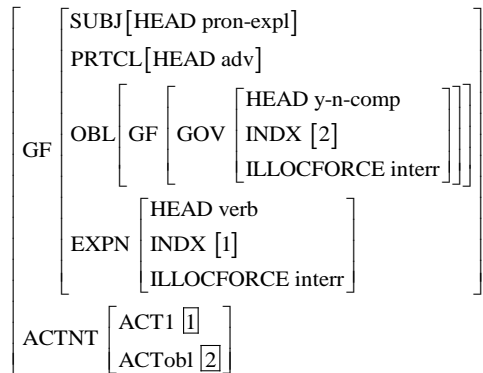
intrPrtclOblExpn-oblINTERRwh-  
expnINTERRyn



det vil komme  
an på hvem som  
kommer  
hvorvidt vi vil  
vinne

it dependsL  
on who  
comes  
whether we  
will win

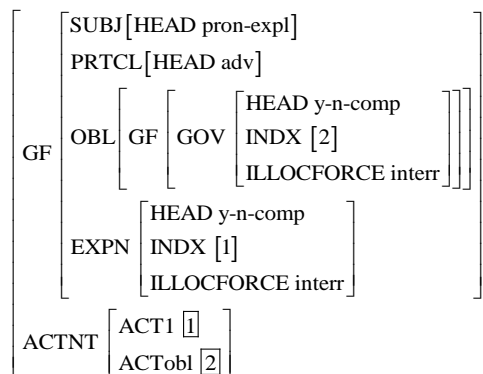
intrPrtclOblExpn-oblINTERRyn-  
expnINTERRwh



det vil komme  
an på hvorvidt vi  
deltar hvem som  
vil vinne

it dependsL  
on whether  
we  
participate  
who will  
win

intrPrtclOblExpn-oblINTERRyn-  
expnINTERRyn



det vil komme  
an på hvorvidt vi  
deltar om de  
vinner

it dependsL  
on whether  
we  
participate  
whether  
they will  
win

intrPrtclOblRais-oblRaisInf	$\left[ \begin{array}{l} \text{SUBJ [INDX 1]} \\ \text{PRTCL [HEAD adv]} \\ \text{GF} \left[ \begin{array}{l} \text{HEAD prep} \\ \text{OBL} \left[ \begin{array}{l} \text{HEAD inf} \\ \text{GOV [INDX 2]} \\ \text{XACT [1]} \end{array} \right] \end{array} \right] \\ \text{ACTNT [ACTobl 2]} \end{array} \right]$	det ser ut til å regne	it seemsL,P to rain
-----------------------------	--	------------------------	---------------------

intrPrtclScpr-scSuNrg-scAdj	$\left[ \begin{array}{l} \text{SUBJ [INDX 1]} \\ \text{PRTCL [HEAD adv]} \\ \text{GF} \left[ \begin{array}{l} \text{HEAD adj} \\ \text{SECPRD [INDX 2]} \\ \text{XACT [1]} \end{array} \right] \\ \text{ACTNT [ACT1 2]} \end{array} \right]$	han ser syk ut	he looksL ill
-----------------------------	--	----------------	---------------

intrPrtclScpr-scSuNrg-scPredprtclN	$\left[ \begin{array}{l} \text{SUBJ [INDX 1]} \\ \text{PRTCL [HEAD adv]} \\ \text{GF} \left[ \begin{array}{l} \text{HEAD predprtclN} \\ \text{SECPRD [INDX 2]} \\ \text{XACT [1]} \end{array} \right] \\ \text{ACTNT [ACT1 2]} \end{array} \right]$	hun ser ut som en vinner	she looksL like a winner
------------------------------------	---	--------------------------	--------------------------

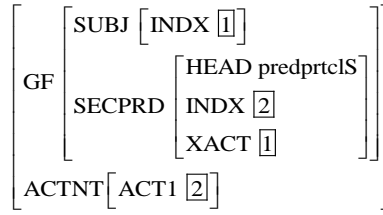
intrPrtclScpr-scSuNrg-scPredprtclS	$\left[ \begin{array}{l} \text{SUBJ [INDX 1]} \\ \text{PRTCL [HEAD adv]} \\ \text{GF} \left[ \begin{array}{l} \text{HEAD predprtclS} \\ \text{SECPRD [INDX 2]} \\ \text{XACT [1]} \end{array} \right] \\ \text{ACTNT [ACT1 2]} \end{array} \right]$	hun ser ut som hun sitter	she looksL like she sits
------------------------------------	---	---------------------------	--------------------------

intrScpr-scPredprtcl	$\left[ \begin{array}{l} \text{SUBJ [INDX 1]} \\ \text{GF} \left[ \begin{array}{l} \text{HEAD inf} \\ \text{SECPRD [INDX 2]} \\ \text{XACT [1]} \end{array} \right] \\ \text{ACTNT [ACT1 2]} \end{array} \right]$	han fungerer som forsanger	he functions as lead singer
----------------------	---	----------------------------	-----------------------------

intrScpr-scSuNrgCsd-scAdv	$\left[ \begin{array}{l} \text{SUBJ [INDX 1]} \\ \text{GF} \left[ \begin{array}{l} \text{HEAD adv} \\ \text{SECPRD [INDX 2]} \\ \text{XACT [1]} \end{array} \right] \\ \text{ACTNT [ACT1 2]} \end{array} \right]$	landsbyen sner inne	the village snows under
---------------------------	---	---------------------	-------------------------

intrScpr-scSuNrgCsd-scPred	$\left[ \begin{array}{l} \text{GF} \left[ \begin{array}{l} \text{SUBJ} \left[ \text{INDX } 1 \right] \\ \text{SECP RD} \left[ \begin{array}{l} \text{HEAD } \text{adj-or-prep} \\ \text{INDX } 2 \\ \text{XACT } 1 \end{array} \right] \end{array} \right] \\ \text{ACTNT} \left[ \text{ACT1 } 2 \right] \end{array} \right]$	motoren går varm	the motor runs hot
intrScpr-scSuNrg-scDir	$\left[ \begin{array}{l} \text{GF} \left[ \begin{array}{l} \text{SUBJ} \left[ \text{INDX } 1 \right] \\ \text{SECP RD} \left[ \begin{array}{l} \text{INDX } 2 \\ \text{XACT } 1 \end{array} \right] \end{array} \right] \\ \text{ACTNT} \left[ \text{ACT1 } 2 \left[ \text{ROLE } \text{oriented-object} \right] \right] \end{array} \right]$	hun må vekk	she must off
intrScpr-scSuNrg-scInf	$\left[ \begin{array}{l} \text{GF} \left[ \begin{array}{l} \text{SUBJ} \left[ \text{INDX } 1 \right] \\ \text{SECP RD} \left[ \begin{array}{l} \text{HEAD } \text{inf} \\ \text{INDX } 2 \\ \text{XACT } 1 \end{array} \right] \end{array} \right] \\ \text{ACTNT} \left[ \text{ACT1 } 2 \right] \end{array} \right]$	oppskriften synes å fungere	the recipe seems to work
intrScpr-scSuNrg-scN	$\left[ \begin{array}{l} \text{GF} \left[ \begin{array}{l} \text{SUBJ} \left[ \text{INDX } 1 \right] \\ \text{SECP RD} \left[ \begin{array}{l} \text{HEAD } \text{noun} \\ \text{INDX } 2 \\ \text{XACT } 1 \end{array} \right] \end{array} \right] \\ \text{ACTNT} \left[ \text{ACT1 } 2 \right] \end{array} \right]$	han synes en snill prest	he seems like a kind priest
intrScpr-scSuNrg-scPred	$\left[ \begin{array}{l} \text{GF} \left[ \begin{array}{l} \text{SUBJ} \left[ \text{INDX } 1 \right] \\ \text{SECP RD} \left[ \begin{array}{l} \text{HEAD } \text{adj-or-prep} \\ \text{INDX } 2 \\ \text{XACT } 1 \end{array} \right] \end{array} \right] \\ \text{ACTNT} \left[ \text{ACT1 } 2 \right] \end{array} \right]$	han tykkes glad	he seems happy
intrScpr-scSuNrg-scPredprtcl	$\left[ \begin{array}{l} \text{GF} \left[ \begin{array}{l} \text{SUBJ} \left[ \text{INDX } 1 \right] \\ \text{SECP RD} \left[ \begin{array}{l} \text{HEAD } \text{predprtcl} \\ \text{INDX } 2 \\ \text{XACT } 1 \end{array} \right] \end{array} \right] \\ \text{ACTNT} \left[ \text{ACT1 } 2 \right] \end{array} \right]$	vi opptrer som forsøkspersoner	we figure as research subjects
intrScpr-scSuNrg-scPredprtclN	$\left[ \begin{array}{l} \text{GF} \left[ \begin{array}{l} \text{SUBJ} \left[ \text{INDX } 1 \right] \\ \text{SECP RD} \left[ \begin{array}{l} \text{HEAD } \text{predprtclN} \\ \text{INDX } 2 \\ \text{XACT } 1 \end{array} \right] \end{array} \right] \\ \text{ACTNT} \left[ \text{ACT1 } 2 \right] \end{array} \right]$	det lyder som et signal	it sounds like a signal

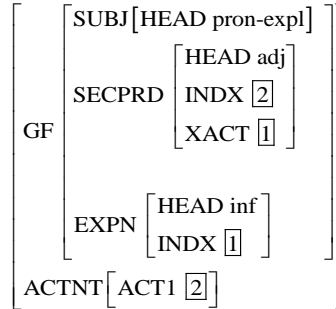
intrScpr-scSuNrg-scPredprtclS



hun lyder som  
hun er redd

she sounds  
as if she is  
afraid

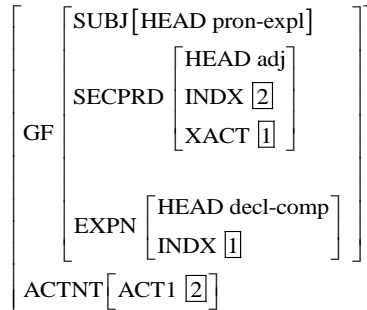
intrScprExpn-scAdj-expnAbsinf



det synes  
fristende å prøve  
igjen

it seems  
tempting to  
try again

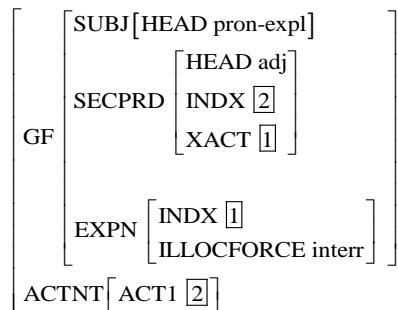
intrScprExpn-scAdj-expnDECL



det virker rart at  
de får komme

it seems  
strange that  
they are  
allowed

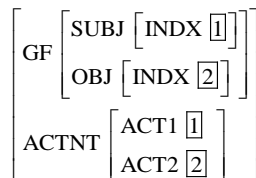
intrScprExpn-scAdj-expnINTERR



det virker  
tvilsomt om  
dette vil virke

it seems  
dubious  
whether  
this will  
work

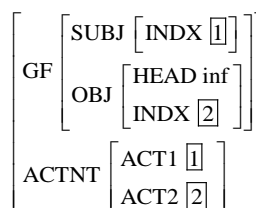
tr



de herder  
metallet

they harden  
the metal

tr-obAbsinf



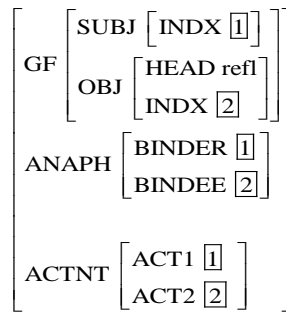
han simulerer å  
være syk

he  
simulates to  
be sick



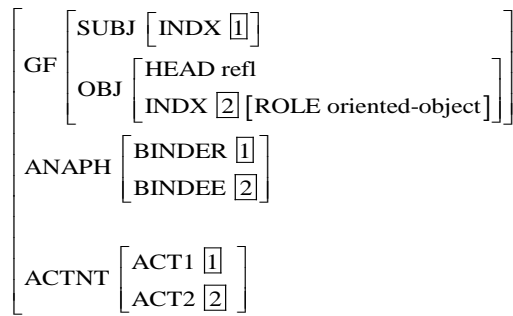
tr-obDECL	$\left[ \begin{array}{l} \text{GF} \left[ \begin{array}{l} \text{SUBJ} \left[ \text{INDX } \boxed{1} \right] \\ \text{OBJ} \left[ \begin{array}{l} \text{HEAD decl-comp} \\ \text{ILLOCFORCE decl} \end{array} \right] \end{array} \right] \\ \text{ACTNT} \left[ \begin{array}{l} \text{ACT1 } \boxed{1} \\ \text{ACT2 } \boxed{2} \end{array} \right] \end{array} \right]$	han simulerer at han er syk	he simulates that he is sick
tr-obDECL-obV	$\left[ \begin{array}{l} \text{GF} \left[ \begin{array}{l} \text{SUBJ} \left[ \text{INDX } \boxed{1} \right] \\ \text{OBJ} \left[ \begin{array}{l} \text{HEAD verb} \\ \text{ILLOCFORCE decl} \end{array} \right] \end{array} \right] \\ \text{ACTNT} \left[ \begin{array}{l} \text{ACT1 } \boxed{1} \\ \text{ACT2 } \boxed{2} \end{array} \right] \end{array} \right]$	vi tror han kommer	we think he comes
tr-obDir	$\left[ \begin{array}{l} \text{GF} \left[ \begin{array}{l} \text{SUBJ} \left[ \text{INDX } \boxed{1} \right] \\ \text{OBJ} \left[ \text{INDX } \boxed{2} \left[ \text{ROLE oriented-object} \right] \right] \end{array} \right] \\ \text{ACTNT} \left[ \begin{array}{l} \text{ACT1 } \boxed{1} \\ \text{ACT2 } \boxed{2} \end{array} \right] \end{array} \right]$	vi tømmer innholdet ut i elven	we empty the content out into the river
tr-obEqBareinf	$\left[ \begin{array}{l} \text{GF} \left[ \begin{array}{l} \text{SUBJ} \left[ \text{INDX } \boxed{1} \right] \\ \text{OBJ} \left[ \begin{array}{l} \text{HEAD verb-BAREINF} \\ \text{XACT } \boxed{1} \end{array} \right] \end{array} \right] \\ \text{ACTNT} \left[ \begin{array}{l} \text{ACT1 } \boxed{1} \\ \text{ACT2 } \boxed{2} \end{array} \right] \end{array} \right]$	hun tør komme	she dares come
tr-obEqSuInf	$\left[ \begin{array}{l} \text{GF} \left[ \begin{array}{l} \text{SUBJ} \left[ \text{INDX } \boxed{1} \right] \\ \text{OBJ} \left[ \begin{array}{l} \text{HEAD inf} \\ \text{XACT } \boxed{1} \end{array} \right] \end{array} \right] \\ \text{ACTNT} \left[ \begin{array}{l} \text{ACT1 } \boxed{1} \\ \text{ACT2 } \boxed{2} \end{array} \right] \end{array} \right]$	hun unnlater å melde seg	she fails to report
tr-obEventunit	$\left[ \begin{array}{l} \text{GF} \left[ \begin{array}{l} \text{SUBJ} \left[ \text{INDX } \boxed{1} \right] \\ \text{OBJ} \left[ \text{INDX } \boxed{2} \left[ \text{ROLE eventunit} \right] \right] \end{array} \right] \\ \text{ACTNT} \left[ \begin{array}{l} \text{ACT1 } \boxed{1} \\ \text{ACT2 } \boxed{2} \end{array} \right] \end{array} \right]$	de dør en pinefull død	they die a painful death
tr-obINTERR	$\left[ \begin{array}{l} \text{GF} \left[ \begin{array}{l} \text{SUBJ} \left[ \text{INDX } \boxed{1} \right] \\ \text{OBJ} \left[ \begin{array}{l} \text{ILLOCFORCE interr} \end{array} \right] \end{array} \right] \\ \text{ACTNT} \left[ \begin{array}{l} \text{ACT1 } \boxed{1} \\ \text{ACT2 } \boxed{2} \end{array} \right] \end{array} \right]$	de eliminerer hva som finnes av utveier	they eliminate who may have done it

tr-obRefl



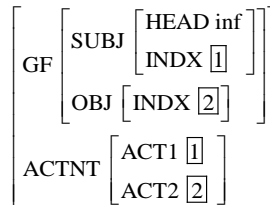
hun forkjøler seg she getsR,NS a cold

tr-obRefl-obDir



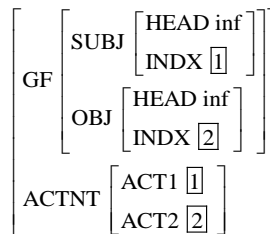
hun karer seg til she scrambles herself to the uthuset outhouse

tr-suAbsinf



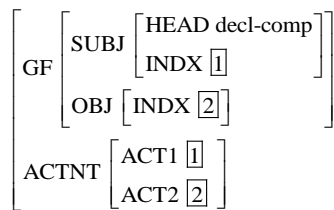
å drive storgård to run a big farm costs penger money

tr-suAbsinf-obAbsinf



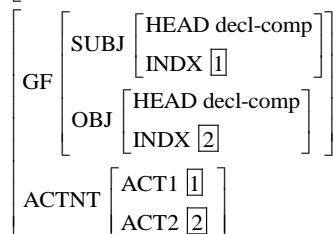
å slutte betyr å to stop means to gi opp give up

tr-suDECL



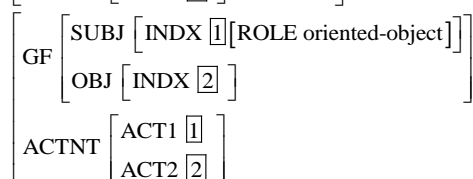
at han sang that he sang before foran kirkedøren the church door forarget mange angered many

tr-suDECL-obDECL



at regnskapet that the accounts are correct stemmer implies that he has spoken the truth har snakket sant

tr-suDir



båten the boat ankommer byen arrivesP to the city

tr-suDir-obLengthunit	$\left[ \begin{array}{l} \text{GF} \left[ \begin{array}{l} \text{SUBJ} \left[ \text{INDX } \boxed{1} \left[ \text{ROLE oriented-object} \right] \right] \\ \text{OBJ} \left[ \text{INDX } \boxed{2} \left[ \text{ROLE lengthunit} \right] \right] \end{array} \right] \\ \text{ACTNT} \left[ \begin{array}{l} \text{ACT1 } \boxed{1} \\ \text{ACT2 } \boxed{2} \end{array} \right] \end{array} \right]$	han hopper fem meter      he jumps five metres
tr-suDir-obRefl	$\left[ \begin{array}{l} \text{GF} \left[ \begin{array}{l} \text{SUBJ} \left[ \text{INDX } \boxed{1} \left[ \text{ROLE oriented-object} \right] \right] \\ \text{OBJ} \left[ \text{INDX } \boxed{2} \right] \end{array} \right] \\ \text{ANAPH} \left[ \begin{array}{l} \text{BINDER } \boxed{1} \\ \text{BINDEE } \boxed{2} \end{array} \right] \\ \text{ACTNT} \left[ \begin{array}{l} \text{ACT1 } \boxed{1} \\ \text{ACT2 } \boxed{2} \end{array} \right] \end{array} \right]$	hun lister seg unna      she sneaksR away
tr-suEqObInf	$\left[ \begin{array}{l} \text{GF} \left[ \begin{array}{l} \text{SUBJ} \left[ \begin{array}{l} \text{HEAD inf} \\ \text{INDX } \boxed{1} \\ \text{XACT } \boxed{2} \end{array} \right] \\ \text{OBJ} \left[ \text{INDX } \boxed{2} \right] \end{array} \right] \\ \text{ACTNT} \left[ \begin{array}{l} \text{ACT1 } \boxed{1} \\ \text{ACT2 } \boxed{2} \end{array} \right] \end{array} \right]$	å høre så vakker sang huger meg      to hear such a beautiful song pleases me
tr-suINTERR	$\left[ \begin{array}{l} \text{GF} \left[ \begin{array}{l} \text{SUBJ} \left[ \begin{array}{l} \text{INDX } \boxed{1} \\ \text{ILLOCFORCE interr} \end{array} \right] \\ \text{OBJ} \left[ \text{INDX } \boxed{2} \right] \end{array} \right] \\ \text{ACTNT} \left[ \begin{array}{l} \text{ACT1 } \boxed{1} \\ \text{ACT2 } \boxed{2} \end{array} \right] \end{array} \right]$	hvem som kommer vil indikere planen deres      who comes will indicate the plan
tr-suINTERR-obINTERR	$\left[ \begin{array}{l} \text{GF} \left[ \begin{array}{l} \text{SUBJ} \left[ \begin{array}{l} \text{INDX } \boxed{1} \\ \text{ILLOCFORCE interr} \end{array} \right] \\ \text{OBJ} \left[ \begin{array}{l} \text{INDX } \boxed{2} \\ \text{ILLOCFORCE interr} \end{array} \right] \end{array} \right] \\ \text{ACTNT} \left[ \begin{array}{l} \text{ACT1 } \boxed{1} \\ \text{ACT2 } \boxed{2} \end{array} \right] \end{array} \right]$	hvem som kommer vil antydde hva vi kan vente      who comes will indicate what we should expect
trAdv	$\left[ \begin{array}{l} \text{GF} \left[ \begin{array}{l} \text{SUBJ} \left[ \text{INDX } \boxed{1} \right] \\ \text{OBJ} \left[ \text{INDX } \boxed{2} \left[ \text{MANNER } \boxed{3} \right] \right] \\ \text{ADV} \left[ \begin{array}{l} \text{HEAD adverb} \\ \text{INDX } \boxed{3} \end{array} \right] \end{array} \right] \\ \text{ACTNT} \left[ \begin{array}{l} \text{ACT1 } \boxed{1} \\ \text{ACT2 } \boxed{2} \end{array} \right] \end{array} \right]$	vi rangerer henne høyt      we rank her high

trAdv-obRefl

GF	SUBJ [INDX 1]
	OBJ [INDX 2 [MANNER 3]]
ADV	[HEAD adverb INDX 3]
ANAPH	BINDER [1]
	BINDEE [2]
ACTNT	ACT1 [1]
	ACT2 [2]

han skikker seg  
vel

he  
behavesR  
well

trExpnOb-expnAbsinf

GF	SUBJ [INDX 1]
	OBJ [HEAD pron-expl]
EXPN	[HEAD inf INDX 2]
ACTNT	ACT1 [1]
	ACT2 [2]

de umuliggjør  
det å finne en  
fredsplan

they  
makeNS it  
impossible  
to find a  
peace plan

trExpnOb-expnCOND

GF	SUBJ [INDX 1]
	OBJ [HEAD pron-expl]
EXPN	[HEAD cond INDX 2]
ACTNT	ACT1 [1]
	ACT2 [2]

jeg beklager det  
om du føler deg  
forbigått

I regret it if  
you feel  
neglected

trExpnOb-expnDECL

GF	SUBJ [INDX 1]
	OBJ [HEAD pron-expl]
EXPN	[HEAD decl-comp INDX 2]
ACTNT	ACT1 [1]
	ACT2 [2]

jeg beklager det  
at du føler deg  
forbigått

I regret it  
that you  
feel  
neglected

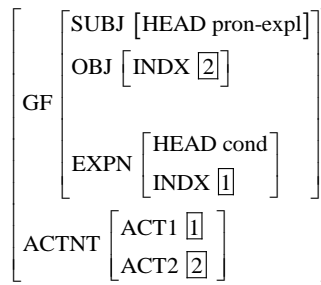
trExpnSu-expnAbsinf

GF	SUBJ [HEAD pron-expl]
	OBJ [INDX 2]
EXPN	[HEAD inf INDX 1]
ACTNT	ACT1 [1]
	ACT2 [2]

det mangler å  
løse den siste  
oppgaven

it fails to  
solve the  
last task

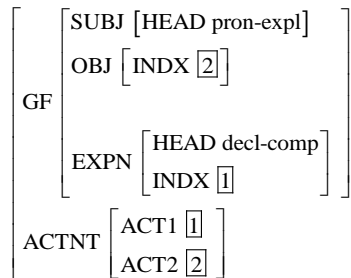
trExpnSu-expnCOND



det forundrer  
meg om du  
kommer

it  
astonishes  
mei f you  
come

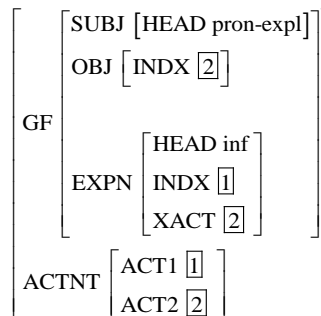
trExpnSu-expnDECL



det gagner oss at  
de flytter hit

it benefits  
us that they  
move here

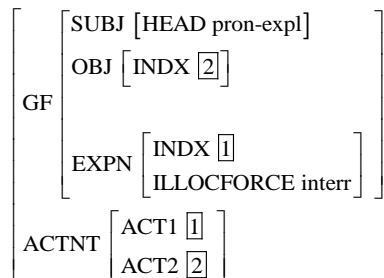
trExpnSu-expnEqObInf



det gleder dem å  
bli omtalt slik

it pleases  
them to be  
talked  
about like  
that

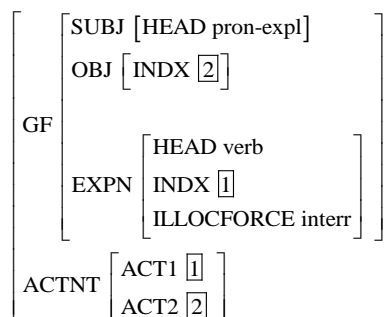
trExpnSu-expnINTERR



det ryster oss  
hvor dårlig  
ledelsen er  
organisert

it shakes us  
how badly  
the  
leadership  
is organized

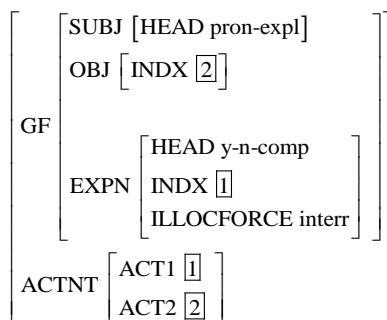
trExpnSu-expnINTERRwh



det aner dem  
hva som vil skje

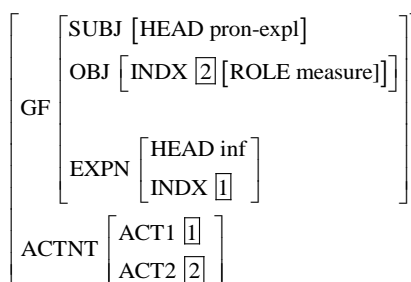
it occursP  
to them  
what will  
happen

trExpnSu-expnINTERRyn



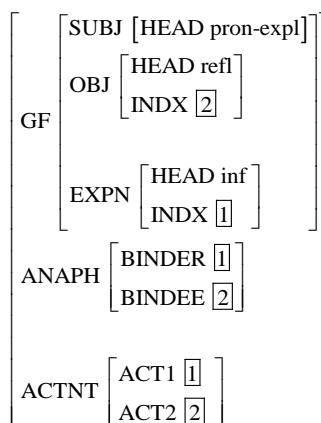
det angår dem      it concerns  
hvorvidt du      them  
kommer      whether  
                         you come

trExpnSu-obMeas-expnAbsinf



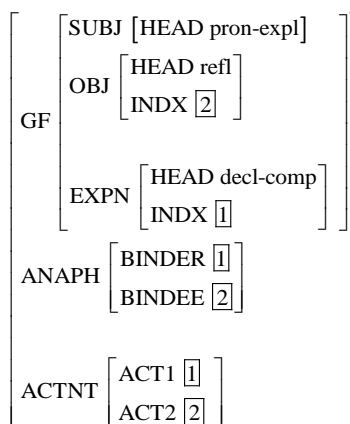
det tar tre timer      it takes  
å gå dit      three hours  
                         to go there

trExpnSu-obRefl-expnAbsinf



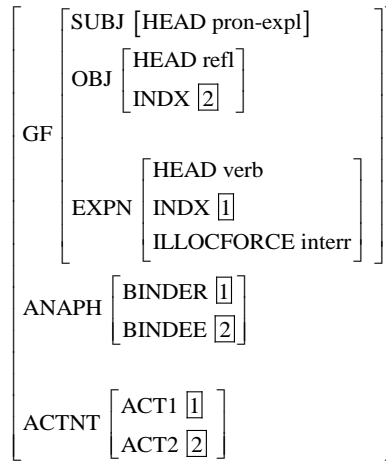
det anstår seg å      it behooves  
gå i hvitt      itself to go  
                         in white

trExpnSu-obRefl-expnDECL



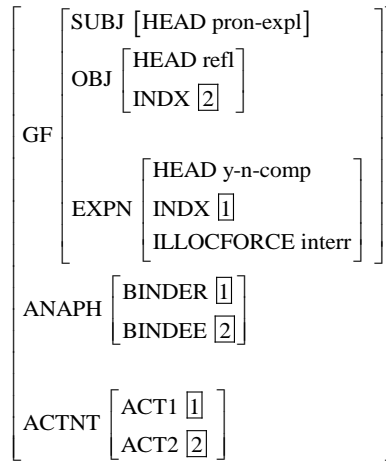
det høver seg at      it behooves  
man går i hvitt      itself that  
                         one goes in  
                         white

trExpnSu-obRefl-expnINTERRwh



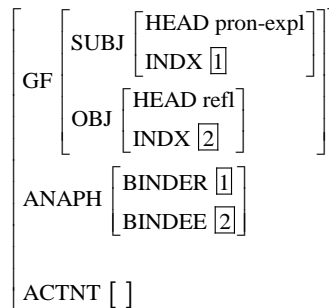
det syner seg  
hvem som  
kommer      it shows  
itself who  
comes

trExpnSu-obRefl-expnINTERRyn



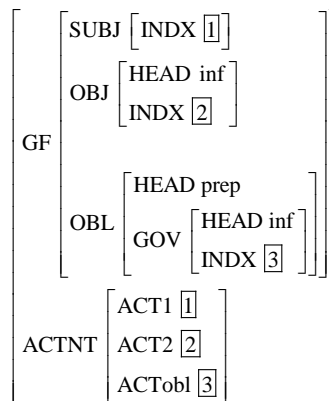
det syner seg om  
det fins håp      it shows  
itself  
whether  
there is  
hope

trImpers-obRefl



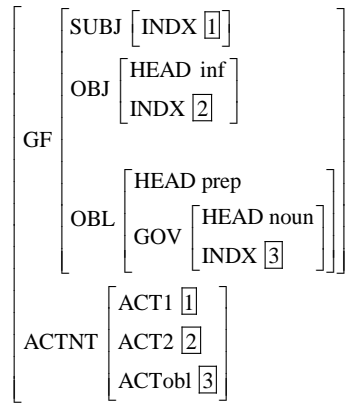
det ordner seg      it arranges  
itself

trObl-obAbsinf-oblAbsinf



man kan ikke  
ekvivalere å  
trene med å øve      one cannot  
equivalatel  
training  
with  
practizing

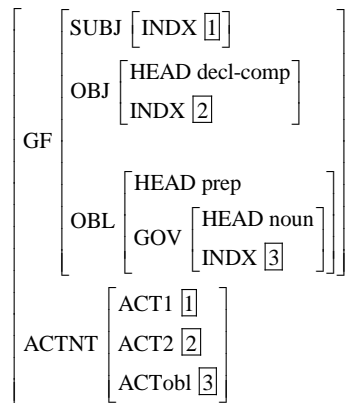
trObl-obAbsinf-obIN



man kan ikke  
ekvivalere å  
trene med øving

one cannot  
equivalate  
training  
with  
practice

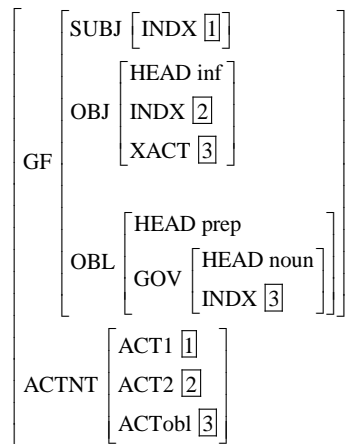
trObl-obDECL-obIN



de henstiller til  
dem at det  
utvises måtehold

they urgeP  
them that  
restraint be  
exercized

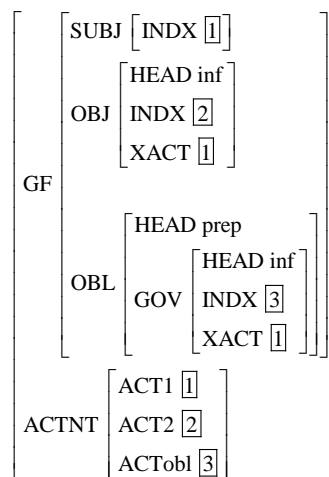
trObl-obEqOblInf-obIN



de overlater til  
bøndene å finne  
en løsning

they leave  
to the  
farmers to  
find a new  
solution

trObl-obEqSuInf-obEqSuInf

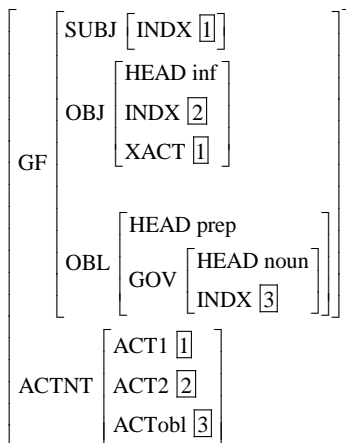


vi velger å ta  
kveldstjeneste  
fremfor å stå  
vakt

we choose  
evening  
service  
before  
standing  
guard



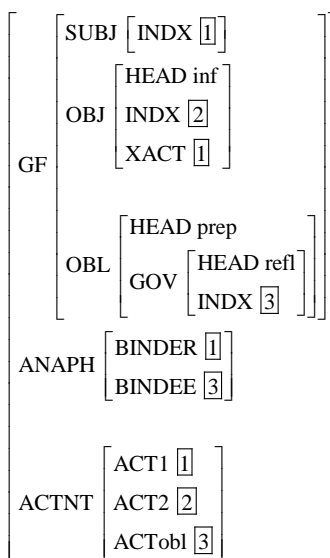
trObl-obEqSuInf-obIN



vi velger å ta  
kveldstjeneste  
fremfor utmarsj

we choose  
to take  
evening  
service  
before  
march

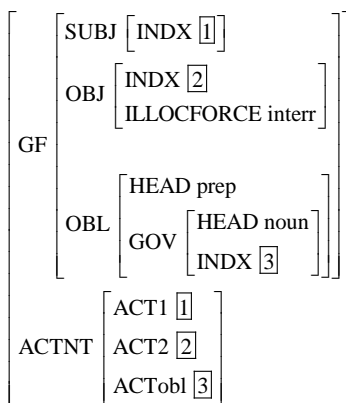
trObl-obEqSuInf-oblRefl



hun koster på  
seg å kjøpe en  
ny bil

she  
affordsP,R  
to buy a  
new car

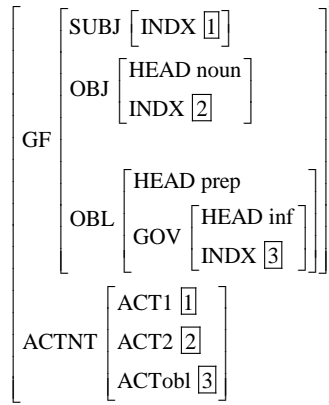
trObl-obINTERR-obIN



vi foreslår for  
turistene hva de  
bør gjøre

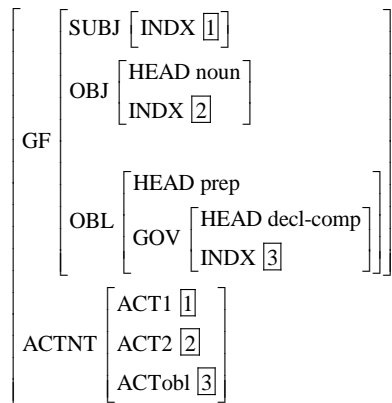
we propose  
for the  
tourists  
what they  
should do

trObl-oblAbsInf



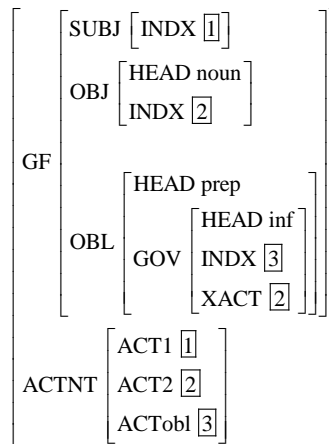
vi kurser dem i å	we educate
arrangere	them inl
foredrag	arranging
	talks

trObl-oblDECL



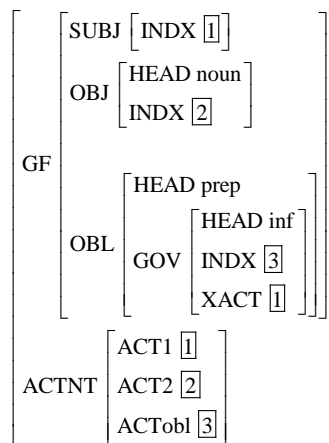
vi lønner dem	we
for at de gjorde	compensate
arbeidet	them forT
	doing the
	work

trObl-oblEqOblInf



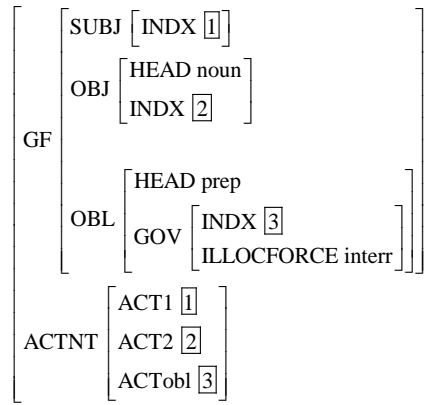
vi lønner dem	we
for å ha gjort	compensate
arbeidet	them forI
	having done
	the work

trObl-oblEqSuInf



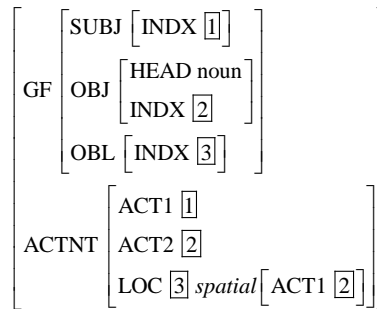
de overrasker	they
oss med å levere	surprise us
fullt regnskap	withI
	delivering a
	full account

trObl-oblINTERR



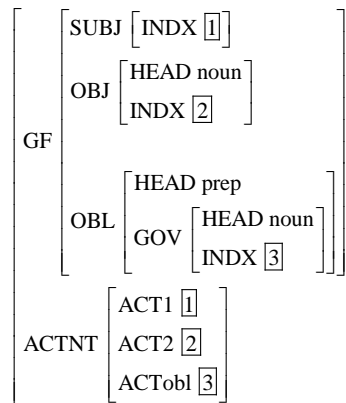
de rettleder dem i hvordan man setter opp regnskap  
they guide them in how one sets up accounts

trObl-oblLoc



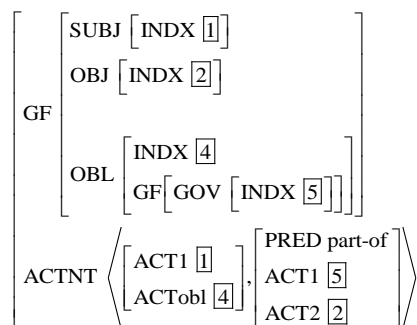
vi utplasserer dem i skogen  
we locate them in the forest

trObl-oblIN



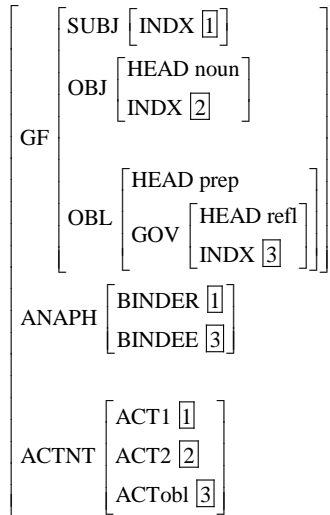
vi innkaller dem til møte  
we summon them to a meeting

trObl-oblPRTOFob



han dunker dem i ryggen  
he bangs them in their backs

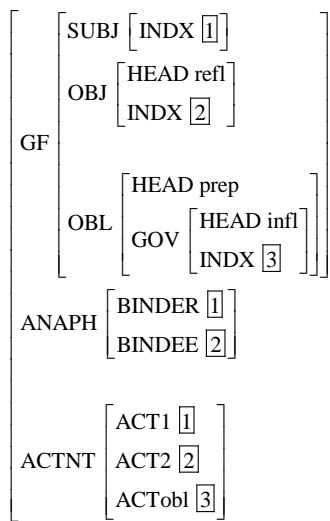
trObl-oblRefl



de rasker med seg eiendelene

they shuffle with them the belongings

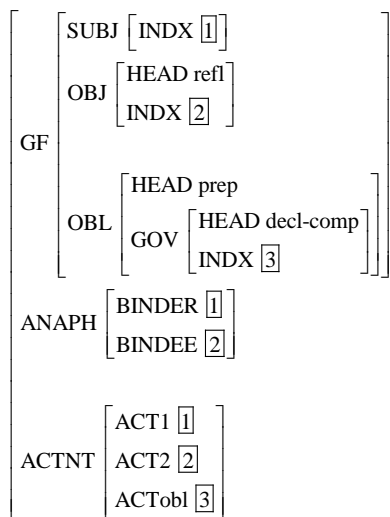
trObl-obRefl-oblAbsinf



de ytrer seg om å beholde naturens likevekt

they pronounce themselves about keeping the balance of nature

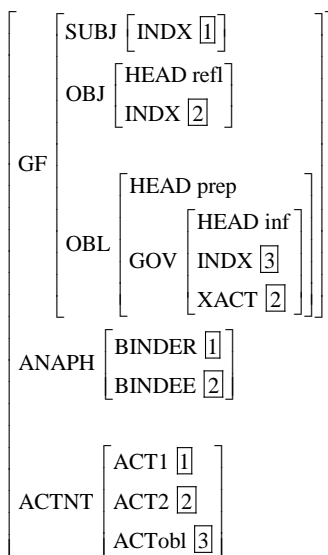
trObl-obRefl-oblDECL



han akker seg over at administrasjon er inkompetent

he rantsR aboutT the administrati on being incompeten t

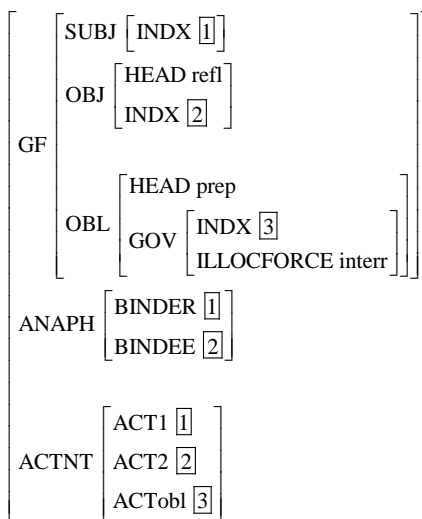
trObl-obRefl-oblEqOblInf



han akker seg  
over å måtte  
sitte i flere  
møter

he rantsR  
aboutI  
having to sit  
in more  
meetings

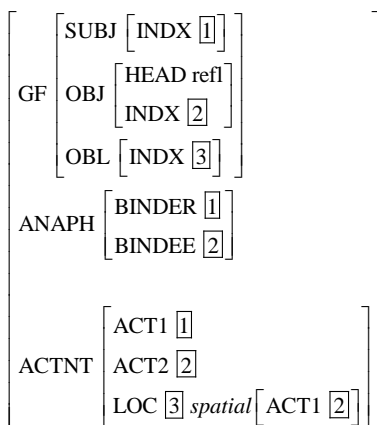
trObl-obRefl-oblINTERR



hun avfinner seg  
med hva hun blir  
tilbudt

she  
resignsR to  
what she  
receives

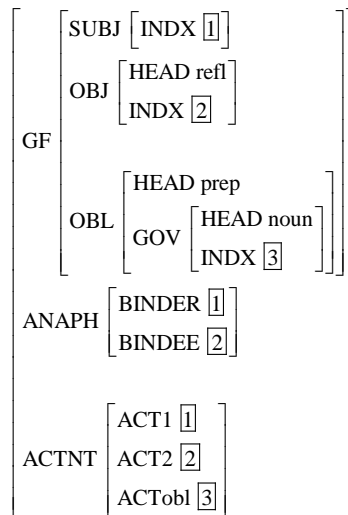
trObl-obRefl-oblLoc



hun befinner seg  
i Afrika

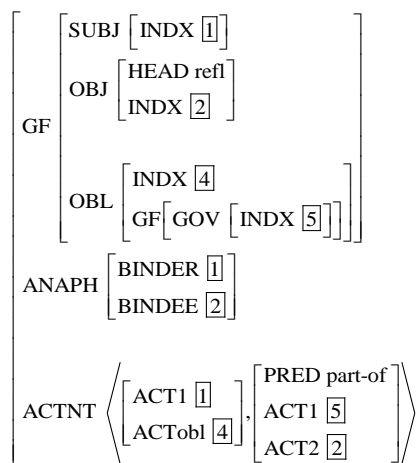
she isR in  
Africa

trObl-obRefl-obIN



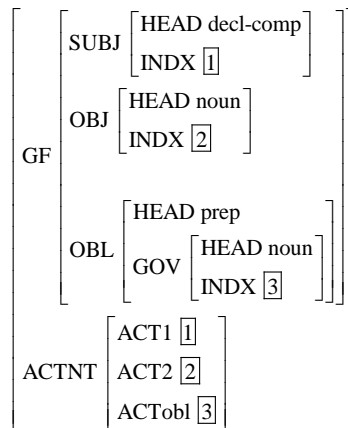
hun befletter seg  
med oppgaven      she busies  
herself with  
the task

trObl-obRefl-obIPRTOFob



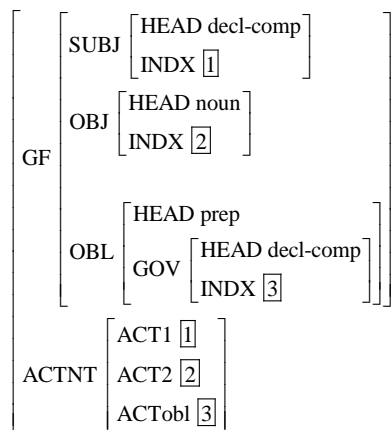
hun holder seg  
for nesen      she  
holdsR,P  
her nose

trObl-suDECL



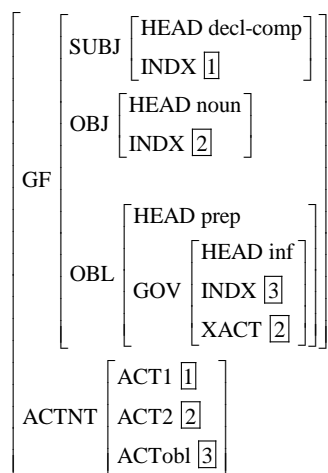
at dødstallene  
går ned  
overbeviser oss  
om denne  
fremgangsmåten      that the  
death tolls  
go down  
convinces  
us about  
this  
procedure

trObl-suDECL-oblDECL



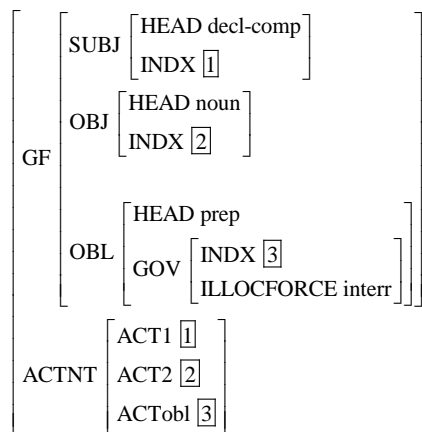
at dødstallene	that the
går ned	death tolls
overbeviser oss	go down
om at denne	convinces
fremgangsmåten	us about
er riktig	this
	procedure
	being right

trObl-suDECL-oblEqObInf



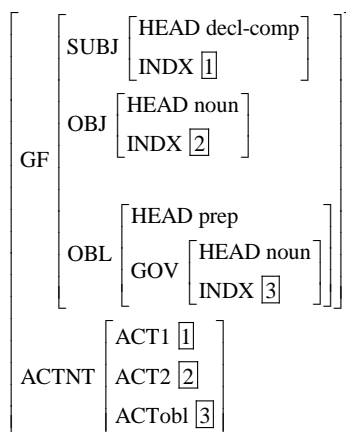
at tilhengerne	that the
jubler ansporer	fans are
ham til å	cheering
fokusere	spurs him
skikkelig	to focus
	properly

trObl-suDECL-oblINTERR



at dødstallene	that the
går ned	death tolls
overbeviser oss	go down
om hvilken	convinces
fremgangsmåten	us about
som er riktig	which
	procedure
	is right

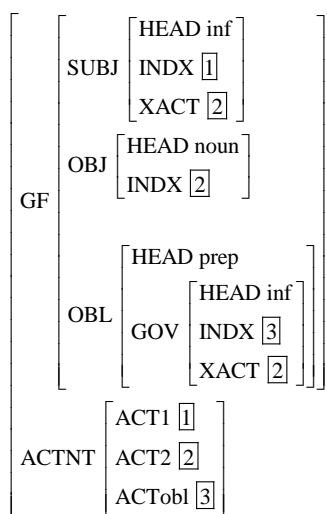
trObl-suDECL-obIN



at tilhengerne  
jubler ansporer  
ham til innsats

that the  
fans are  
cheering  
spurs him  
to further  
effort

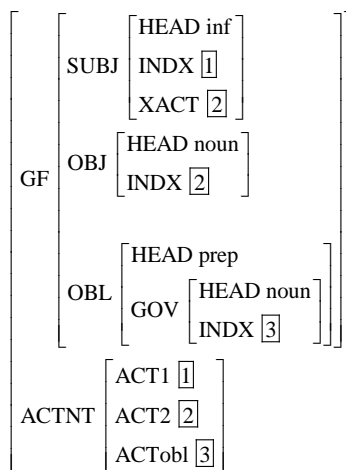
trObl-suEqOblInf-obIEqOblInf



å bruke  
munnbind  
avholder oss fra  
å avbryte

hearing the  
cheering  
keeps us  
from  
quitting

trObl-suEqOblInf-obIN

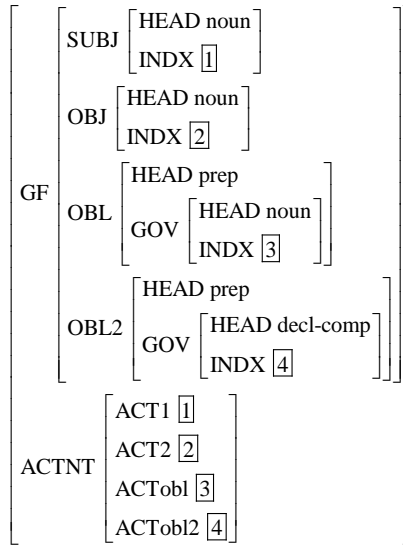


å være  
nedvurdert  
forhindrer dem  
fra rettferdig  
dømming

being  
underestim  
ated  
prevents  
them from  
fair judging

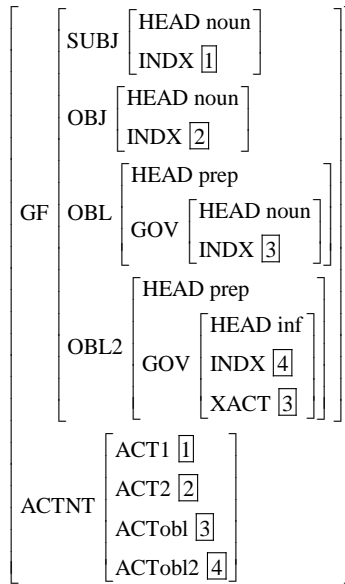


trObl2-obl1N-obl2DECL



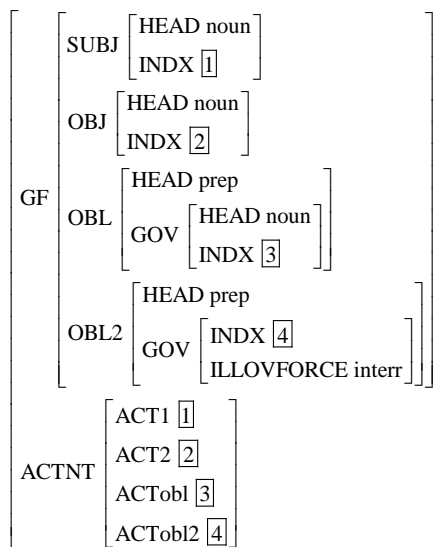
vi	stevner dem	for retten	for at	de har	bespottet	gud	we drag	them to	court forT	having	committed	blasphemy
----	-------------	------------	--------	--------	-----------	-----	---------	---------	------------	--------	-----------	-----------

trObl2-obl1N-obl2EqObInf



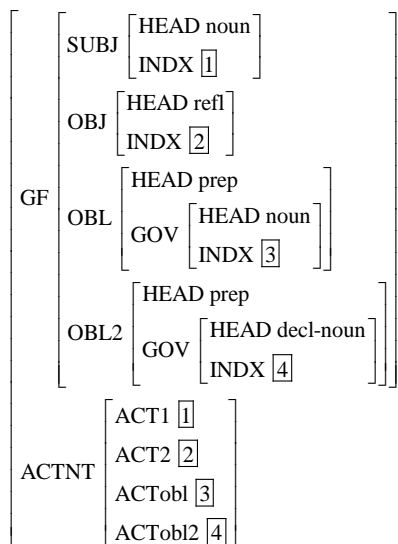
vi	stevner dem	for retten	for å	ha	bespottet	gud	we drag	them to	court forT	having	committed	blasphemy
----	-------------	------------	-------	----	-----------	-----	---------	---------	------------	--------	-----------	-----------

trObl2-obl1N-obl2INTERR



vi	innklager dem	til domstolen	for	hva de	gjorde	med	dokumentene	we drag	them to	court for	what they	did with the	documents
----	---------------	---------------	-----	--------	--------	-----	-------------	---------	---------	-----------	-----------	--------------	-----------

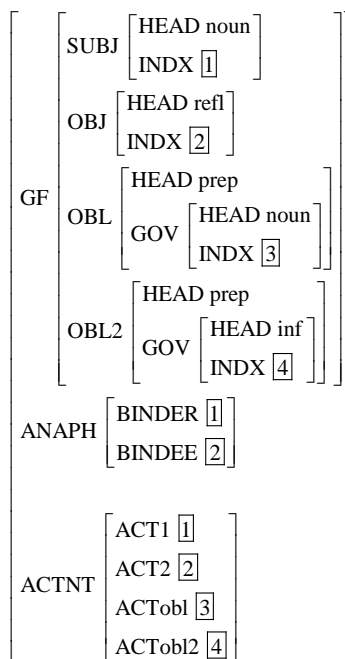
trObl2-obl1N-obl2N



jeg vedder et  
stort beløp med  
Ola på hesten

I bet a big  
amount  
with Ola on  
the horse

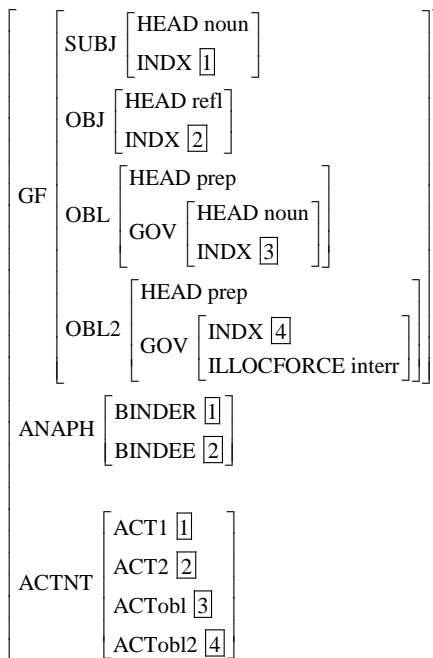
trObl2-obRefl-obl1N-obl2Absinf



de samordner  
seg med  
hjelpemannskap  
ene om å finne  
en løsning

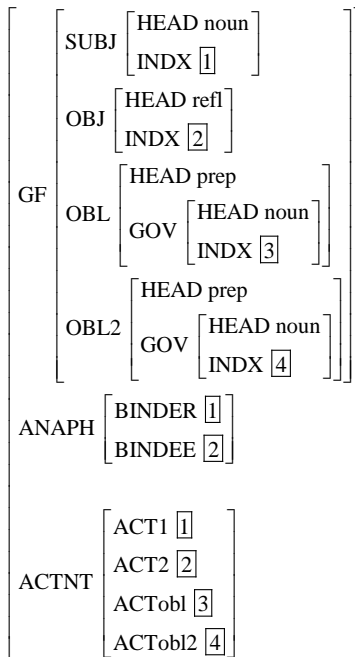
they  
consultR  
with the  
rescue  
forces  
aboutI  
finding a  
solution

trObl2-obRefl-obl1N-obl2INTERR



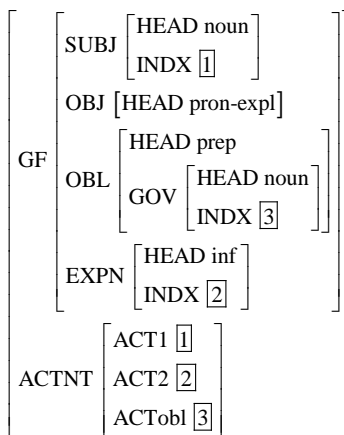
hun rådfører seg	she
med dem om	consultsR
hvordan man	with them
kan behandle	about how
soppskader	one can
	treat fungal
	damage

trObl2-obRefl-obl1N-obl2N



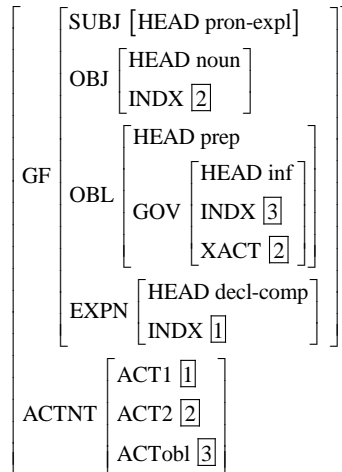
hun rådfører seg	she
med dem om	consultsR
soppskader	with them
	about
	funggal
	damage

trOblExpnOb-expnAbsinf



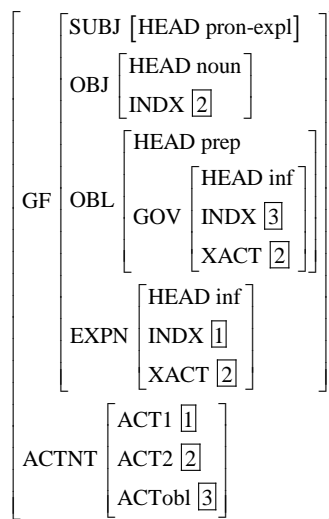
de overlater det	they leave it
til bøndene å	to the
finne en løsning	farmers to
	find a
	solution

trOblExpnSu-oblEqObInf-expnDECL



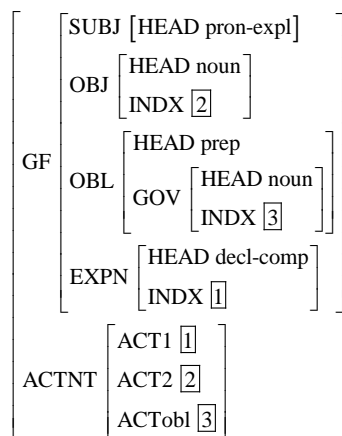
det ansporer ham til å fokusere at han får applaus  
it spurs him to focus that he gets applause

trOblExpnSu-oblEqObInf-expnEqObInf



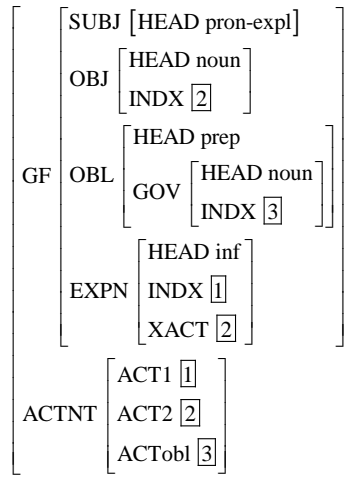
det ansporer ham til å fokusere å høre tilropene  
it spurs him to focus to hear the applause

trOblExpnSu-oblN-expnDECL



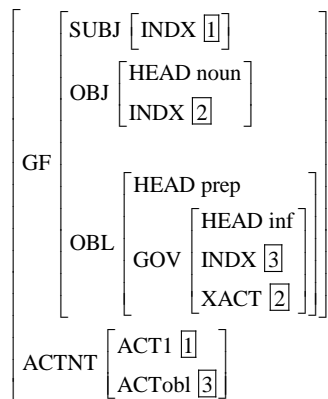
det ansporer ham til innsats at han hører tilropene  
it spurs him to extra effort that he hears the cheering

trOblExpnSu-oblN-expnEqOblnf



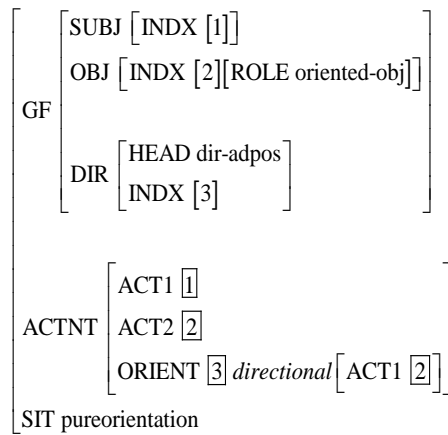
det ansporer ham til innsats å høre tilropene  
 it spurs him to extra effort to hear the shouts

trOblRais-oblRaisObInf



de vil ha ham til å ha tjent langt mer penger enn oppgitt  
 they allegeP him to have lied

trPath-obDir-ORIENTING



hun retter skiltet mot nord  
 she directs the sign towards north

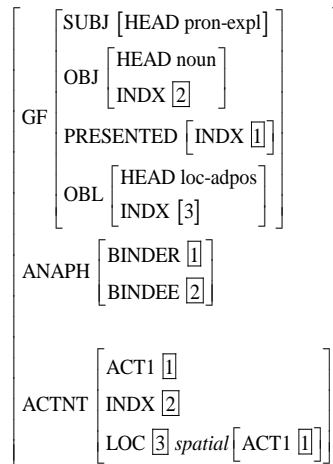
trPath-obRefl-obDir	$\left[ \begin{array}{l} \text{GF} \left[ \begin{array}{l} \text{SUBJ} \left[ \text{INDX} \left[ \boxed{1} \right] \right] \\ \text{OBJ} \left[ \begin{array}{l} \text{INDX} \left[ \boxed{2} \right] \left[ \begin{array}{l} \text{HEAD refl} \\ \text{ROLE oriented-obj} \end{array} \right] \right] \end{array} \right] \\ \text{DIR} \left[ \begin{array}{l} \text{HEAD dir-adpos} \\ \text{INDX} \left[ \boxed{3} \right] \end{array} \right] \end{array} \right] \\ \text{ANAPH} \left[ \begin{array}{l} \text{BINDER} \left[ \boxed{1} \right] \\ \text{BINDEE} \left[ \boxed{2} \right] \end{array} \right] \\ \text{ACTNT} \left[ \begin{array}{l} \text{ACT1} \left[ \boxed{1} \right] \\ \text{ACT2} \left[ \boxed{2} \right] \\ \text{ORIENT} \left[ \boxed{3} \right] \textit{directional} \left[ \text{ACT1} \left[ \boxed{2} \right] \right] \end{array} \right] \end{array} \right]$	<p>hun skyver seg frem</p> <p>she pushes herself forward</p>
---------------------	--	--

trPresnt	$\left[ \begin{array}{l} \text{GF} \left[ \begin{array}{l} \text{SUBJ} \left[ \text{HEAD pron-expl} \right] \\ \text{OBJ} \left[ \begin{array}{l} \text{HEAD noun} \\ \text{INDX} \left[ \boxed{2} \right] \end{array} \right] \\ \text{PRESENTED} \left[ \text{INDX} \left[ \boxed{1} \right] \right] \end{array} \right] \\ \text{ACTNT} \left[ \begin{array}{l} \text{ACT1} \left[ \boxed{1} \right] \\ \text{INDX} \left[ \boxed{2} \right] \end{array} \right] \end{array} \right]$	<p>det vil tilfalle oss utbytte</p> <p>there will accrueP to us gains</p>
----------	--	---

trPresnt-obRefl	$\left[ \begin{array}{l} \text{GF} \left[ \begin{array}{l} \text{SUBJ} \left[ \text{HEAD pron-expl} \right] \\ \text{OBJ} \left[ \begin{array}{l} \text{HEAD noun} \\ \text{INDX} \left[ \boxed{2} \right] \end{array} \right] \\ \text{PRESENTED} \left[ \text{INDX} \left[ \boxed{1} \right] \right] \end{array} \right] \\ \text{ANAPH} \left[ \begin{array}{l} \text{BINDER} \left[ \boxed{1} \right] \\ \text{BINDEE} \left[ \boxed{2} \right] \end{array} \right] \\ \text{ACTNT} \left[ \begin{array}{l} \text{ACT1} \left[ \boxed{1} \right] \\ \text{INDX} \left[ \boxed{2} \right] \end{array} \right] \end{array} \right]$	<p>det smyer seg en katt langs muren</p> <p>there slithers a cat along the wall</p>
-----------------	---	---

trPresntDir-obRefl	$\left[ \begin{array}{l} \text{GF} \left[ \begin{array}{l} \text{SUBJ} \left[ \text{HEAD pron-expl} \right] \\ \text{OBJ} \left[ \begin{array}{l} \text{HEAD noun} \\ \text{INDX} \left[ \boxed{2} \right] \end{array} \right] \\ \text{PRESENTED} \left[ \text{INDX} \left[ \boxed{1} \right] \right] \\ \text{DIR} \left[ \begin{array}{l} \text{HEAD dir-adpos} \\ \text{INDX} \left[ \boxed{3} \right] \end{array} \right] \end{array} \right] \\ \text{ANAPH} \left[ \begin{array}{l} \text{BINDER} \left[ \boxed{1} \right] \\ \text{BINDEE} \left[ \boxed{2} \right] \end{array} \right] \\ \text{ACTNT} \left[ \begin{array}{l} \text{ACT1} \left[ \boxed{1} \right] \\ \text{INDX} \left[ \boxed{2} \right] \\ \text{ORIENT} \left[ \boxed{3} \right] \textit{directional} \left[ \text{ACT1} \left[ \boxed{1} \right] \right] \end{array} \right] \end{array} \right]$	<p>det oppholder seg en beboer her</p> <p>there staysR an inhabitant here</p>
--------------------	--	---

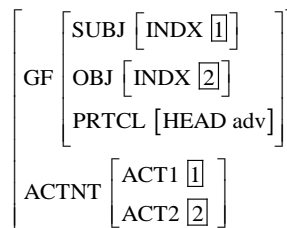
trPresntLoc-obRefl



det åpner seg  
nye muligheter

there  
openR new  
possibilities

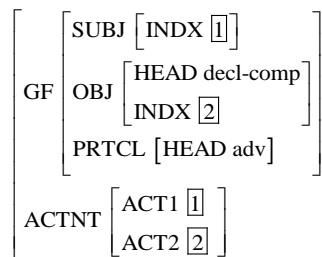
trPrtcl



vi bolter igjen  
porten

we boltL  
the gate

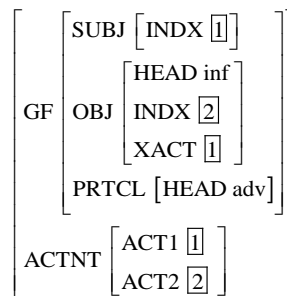
trPrtcl-obDECL



vi provoserer  
frem at det blir  
et brudd

we  
provokel  
that there  
becomes a  
schism

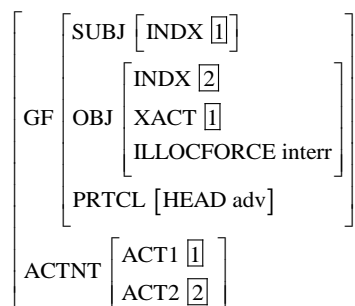
trPrtcl-obEqSuInf



de finner på å  
stenge veiene nå

they  
decideL to  
close the  
roads now

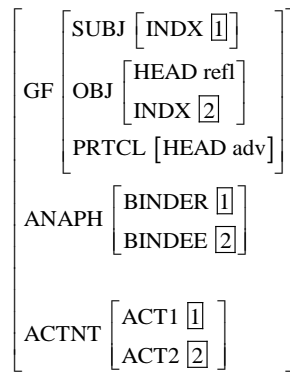
trPrtcl-obINTERR



vi finner ut  
hvorvidt de har  
rett

we find out  
whether  
they are  
right

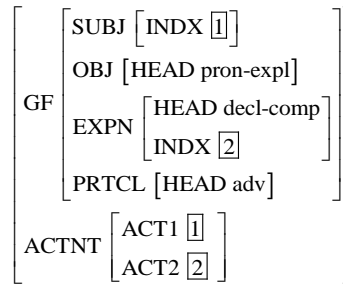
trPrtcl-obRefl



han skitner seg  
til

he dirtensL  
himself

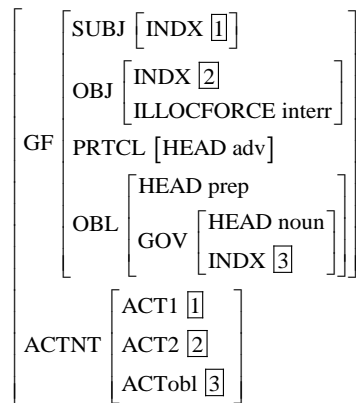
trPrtclExpnOb-expnDECL



de vil ha det til  
at målet var  
ugyldig

they haveP  
it that the  
goal was  
invalid

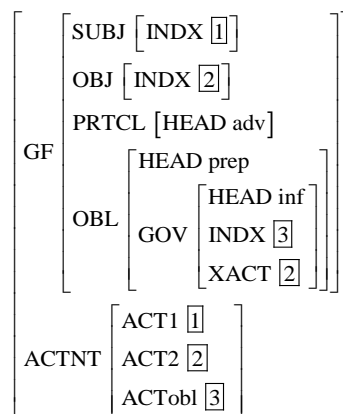
trPrtclObl-obINTERR



han lekser opp  
for oss hva som  
var gått galt

he lists up  
for us what  
had gone  
wrong

trPrtclObl-oblEqObInf

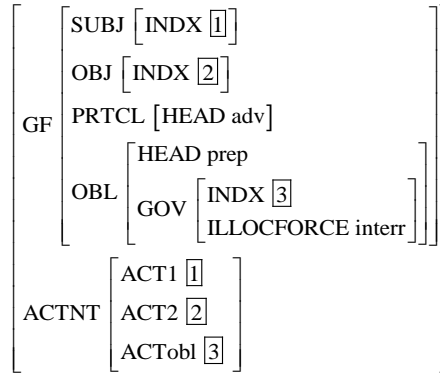


vi aler den opp  
til å løpe  
veddeløp

we breedL  
it toI do  
racing



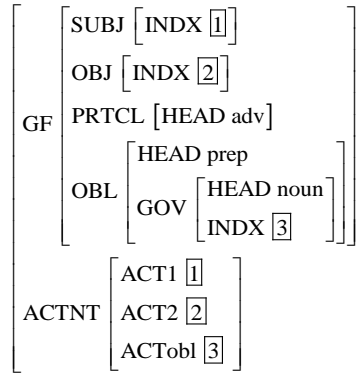
trPrtclObl-oblINTERR



vi friter dem ut om hvorvidt man kan få finansiering

we ask them out about whether one can get financing

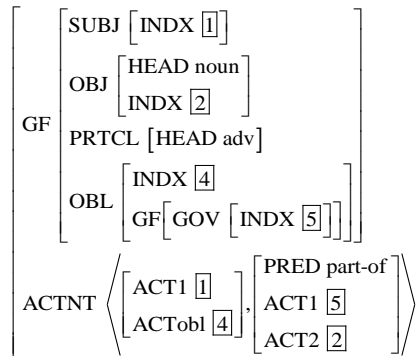
trPrtclObl-oblIN



han hyrer dem inn til høytinna

he hiresL them for the harvesting

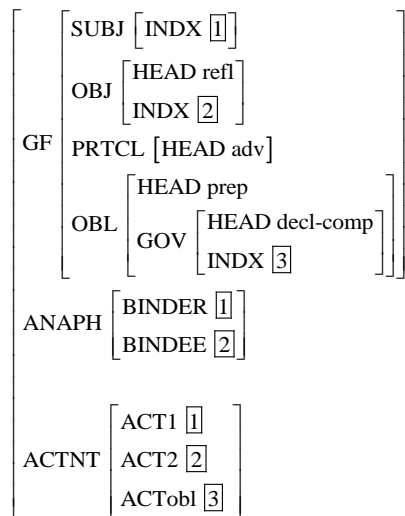
trPrtclObl-oblPRTOFob



han knekker den av på midten

he breaks it off at the middle

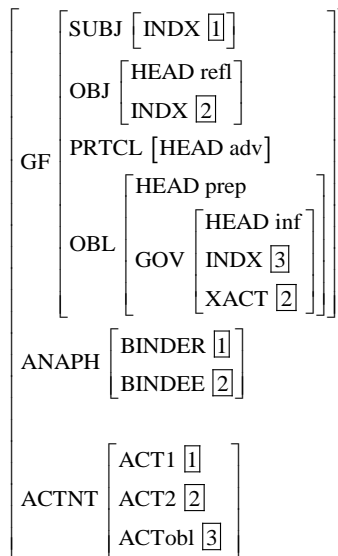
trPrtclObl-obRefl-oblDECL



hun hisser seg opp over at han sviktet

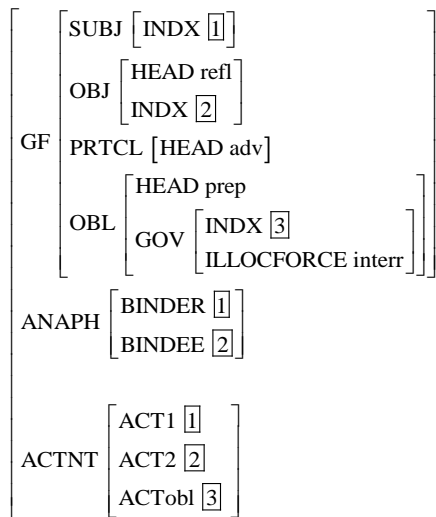
she getsR,NS angry overT his failing

trPrtclObl-obRefl-oblEqOblInf



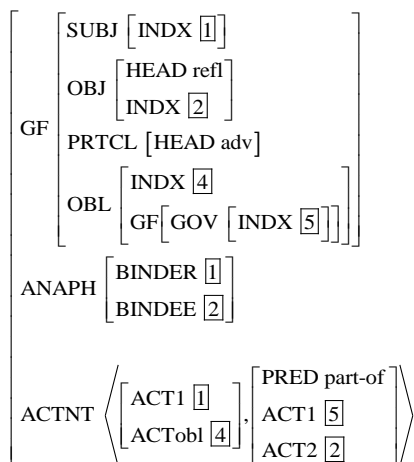
han skaper seg om til å bli et mønsterindivid  
 he  
 reshapesL  
 himself to  
 become a  
 modell  
 individual

trPrtclObl-obRefl-oblINTERR



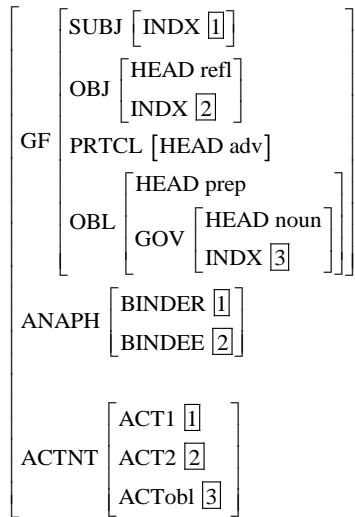
hun peiler seg inn på hva de har fore  
 she findsR,P  
 out what  
 they are  
 planning

trPrtclObl-obRefl-oblPRTOFob



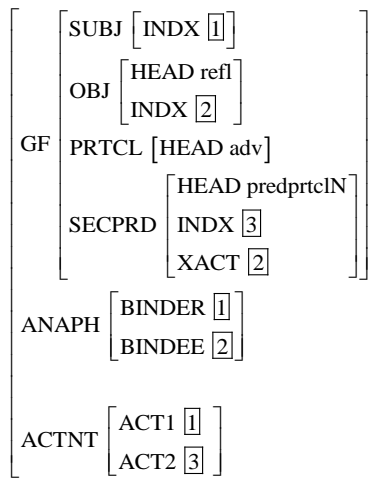
hun skrubber seg opp på kneet  
 she  
 rubsR,L,P  
 her knee

trPrtclObl-obRefl-obIN



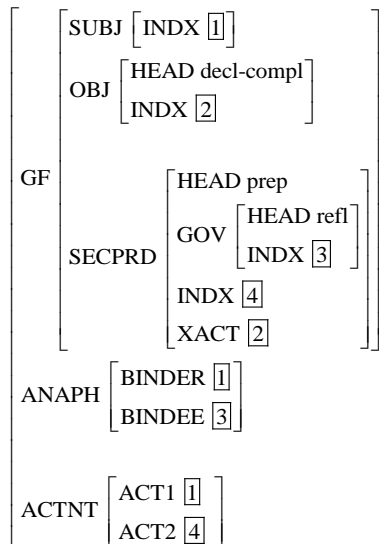
han skaper seg om til en shapeshifter  
 he reshapesL himself as a shapeshifter

trPrtclScpr-obRefl-scObNrg-scPredprtcl



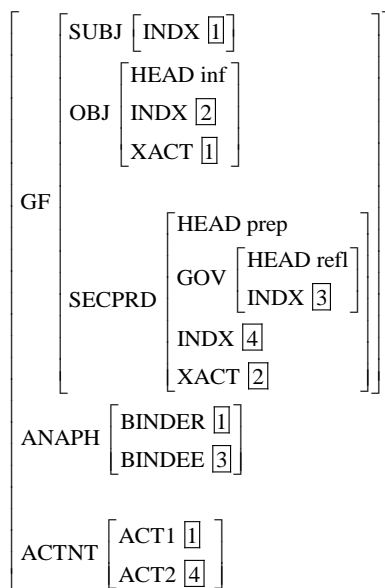
hun peker seg ut som fremragende  
 she emerges as excellent

trScpr-obDECL-scPPrefl



de spanderer på seg at firmaet får ny logo  
 they afford for themselves that the company gets a better logo

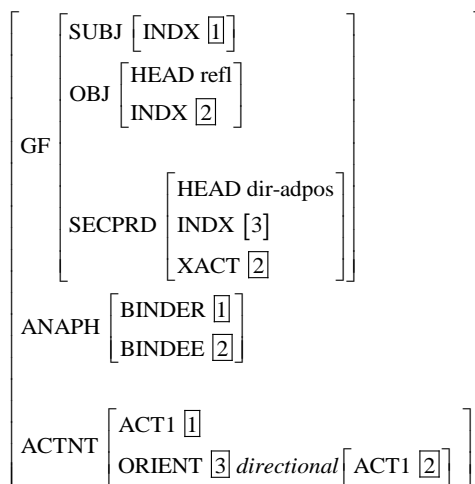
trScpr-obEqSuInf-scPPrefl



hun spanderer  
på seg å kjøpe  
en ny jakke

she treats  
herself to  
buying a  
new jacket

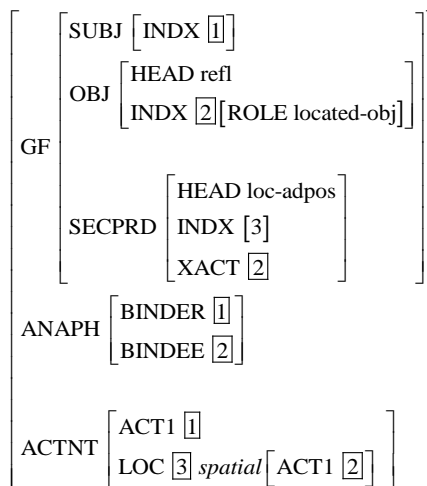
trScpr-obRefl-scObDir



hun låser seg ut

she locks  
herself out

trScpr-obRefl-scObLoc

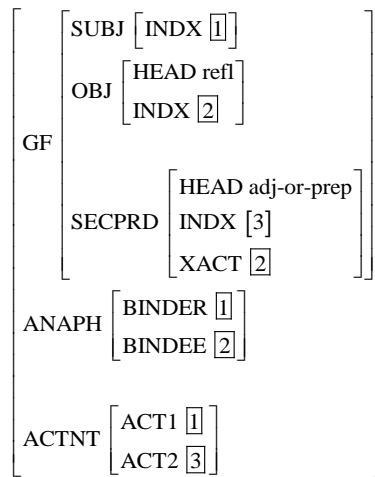


hun låser seg  
inne

she locks  
herself in

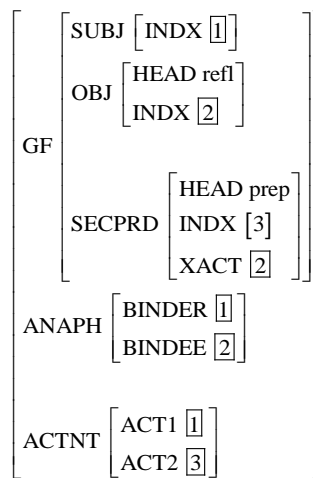


trScpr-obRefl-scObNrg-scPred



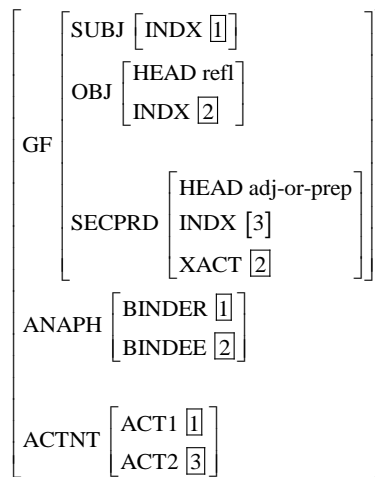
hun kjenner seg trygg      she feelsR safe

trScpr-obRefl-scPP



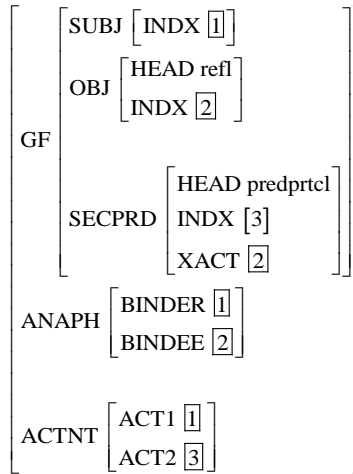
han snakker seg til fordeler      he talks himself to advantages

trScpr-obRefl-scPred



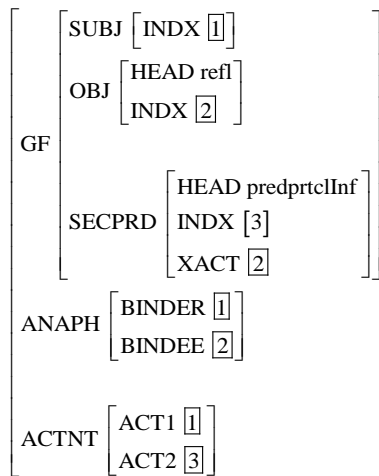
hun forholder seg rolig      she remainsR quiet

trScpr-obRefl-scPredprtcl



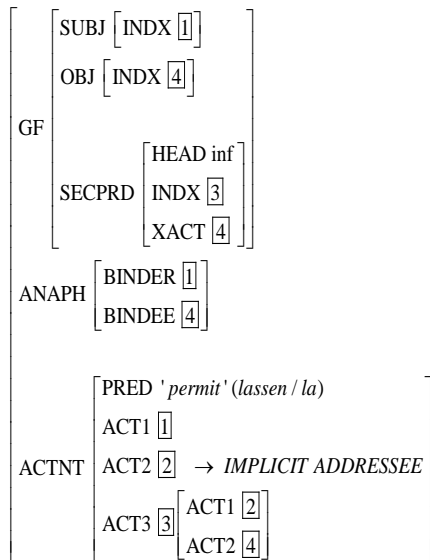
de konstituerer seg som et parti  
they constitute themselves as a party

trScpr-obRefl-scPredprtclInf



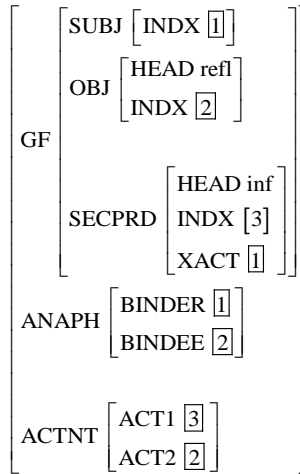
hun anser seg for å være kompetent  
she considers herself as being competent

trScpr-obRefl-scSuNrg-scBareinf-suRAISsuMob



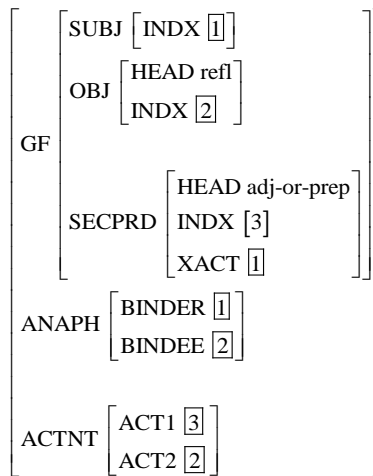
stjernen lot seg se  
the star let itself see  
Comment:  
Cf. comment to 'trScpr-scObNrg-scBareinf-obRAISsuMob': This is arguably the same type, but with a reflexive as object, and a less agentive role of the subject..

trScpr-obRefl-scSuNrg-scInf



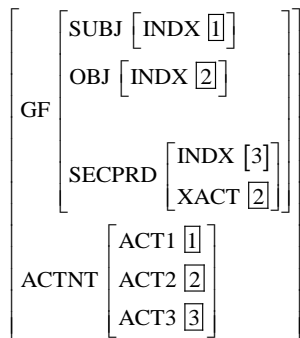
oppskriften viser seg å fungere the recipe turns out to function

trScpr-obRefl-scSuNrg-scPred



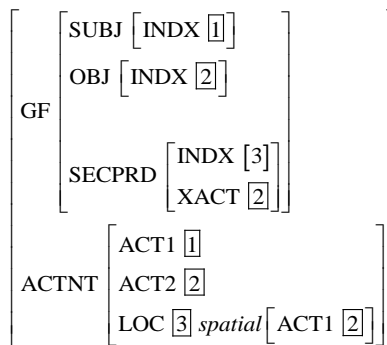
situasjonen fortoner seg ufarlig the situation appears undangerous

trScpr-scObCsd



de presser sitronene flate they squeeze the citrons flat

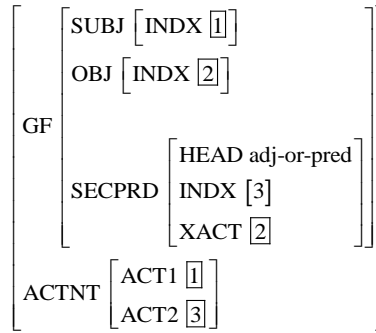
trScpr-scObLoc



vi stasjonierer ham i Sydamerika we station him in South America

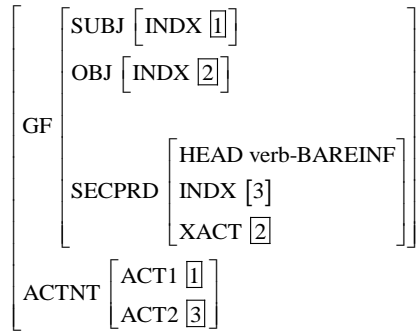


trScpr-scObNrgCsd-scPred



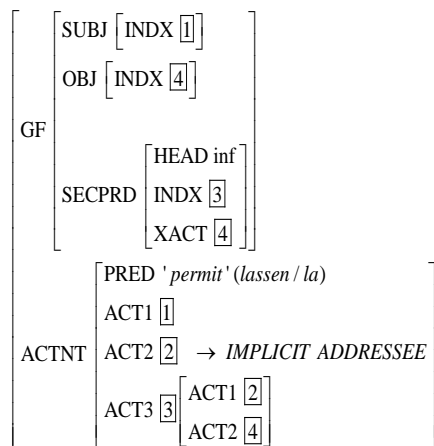
hun synger folk she sings  
glade people  
happy

trScpr-scObNrg-scBareinf



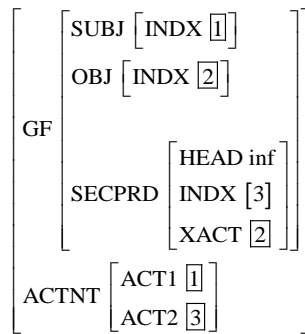
jeg føler smitten I feel the  
snike seg inn i contagion  
meg enter into  
me

trScpr-scObNrg-scBareinf-  
obRAISsuMob



"De lot sangen syngte" ('they let the song sing' (= 'be sung'). If Norwegian had been a language with Middle formation one could have hypothesized that Middle had first applied inside the infinitive complement, and the NP *sangen* then been 'raised'. That not being the case, if one wants to call this 'raising', it will have to be 'raising of object to object', a type not recognized elsewhere in the survey. The understood embedded argument structure is still that of an Equi construction (a permission given to someone, who thereupon acts).  
they let the  
song sing  
(be sung)

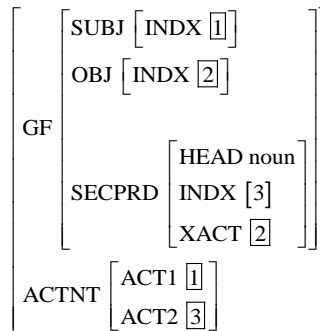
trScpr-scObNrg-sclnf



vi antar henne å  
være kompetent

we assume  
her to be  
competent

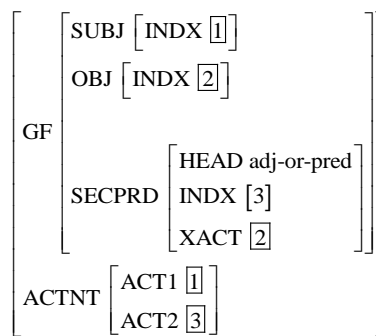
trScpr-scObNrg-scN



han kaller dem  
feiginger

he calls  
them  
cowards

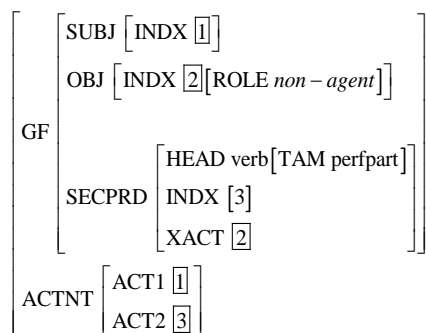
trScpr-scObNrg-scPred



vi erklærer byen  
friskmeldt

we declare  
the town  
healthy

trScpr-scPasscmplx

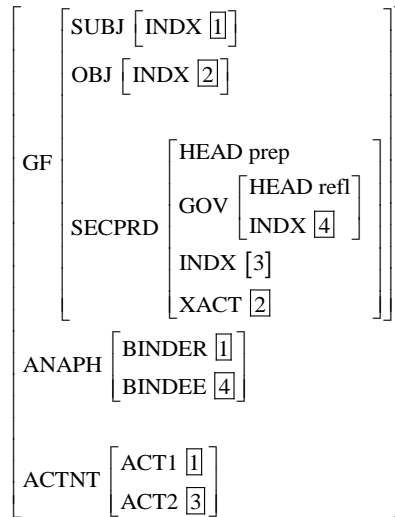


jeg forutsetter  
arten utryddet

I  
presuppose  
the species  
(to be)  
extinct

Comment:  
The 'Complex  
Passive'  
construction.  
The object is  
either  
'promoted'  
argument of a  
passive  
construction, or  
the 'subject' of  
an 'ergative'  
verb.

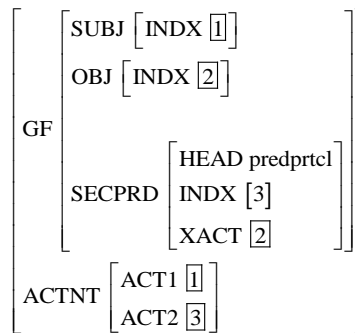
trScpr-scPPrefl



hun rapper til  
seg pengene

she  
snatchesP,R  
the money

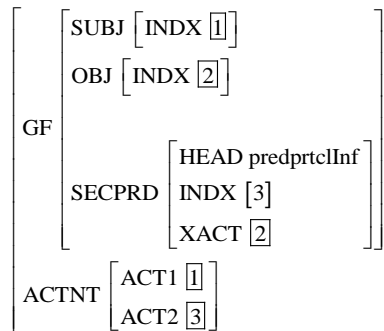
trScpr-scObNrg-scPredprtcl



vi regner dem  
som farlige

we count  
them as  
dangerous

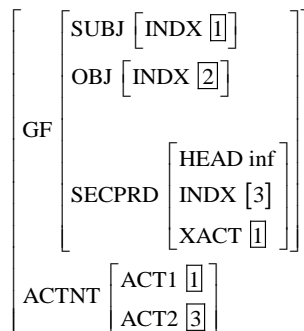
trScpr-scObNrg-scPredprtclInf



vi anser henne  
for å være  
kompetent

we regard  
her as  
beingI  
competent

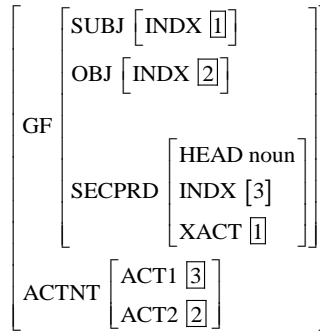
trScpr-scSuNrg-sclnf



oppskriften  
forekommer  
meg å fungere

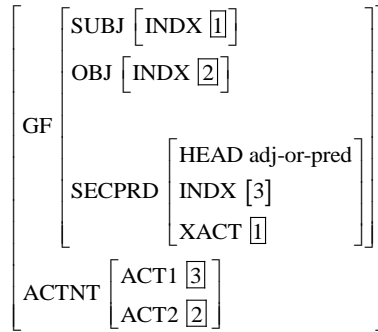
the recipe  
appearsP to  
me to  
function

trScpr-scSuNrg-scN



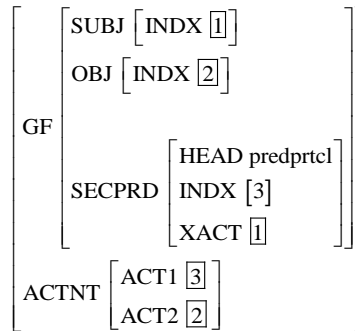
han synes meg  
en skurk      he seemsP  
to me a  
crook

trScpr-scSuNrg-scPred



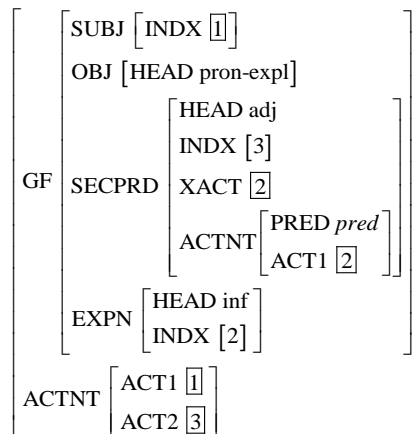
han tykkes meg  
glad      he seemsP  
to me  
happy

trScpr-scSuNrg-scPredprtcl



han forekommer  
meg som fortpat      he seemsP  
to me as  
lost

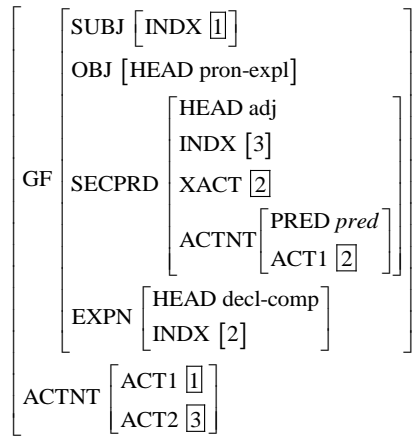
trScprExpnOb-scObNrg-scAdj-  
expnAbsinf



vi anser det  
ufornuftig å  
nekte all skyld      we deem it  
unwise to  
deny all  
guilt

Comment:  
In terms of  
transformational  
analysis: 'raising  
to object' of a  
clause, in turn  
extraposed.

trScprExpnOb-scObNrg-scAdj-  
expnDECL

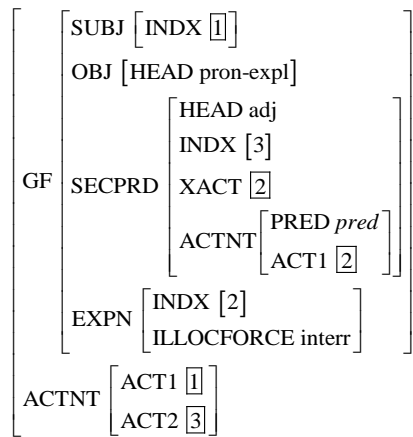


vi anser det  
tvilsomt at det  
vil holde seg slik

we deem it  
doubtful  
that it will  
remain like  
this

Comment:  
In terms of  
transformational  
analysis: 'raising  
to object' of a  
clause, in turn  
extraposed.

trScprExpnOb-scObNrg-scAdj-  
expnINTERR

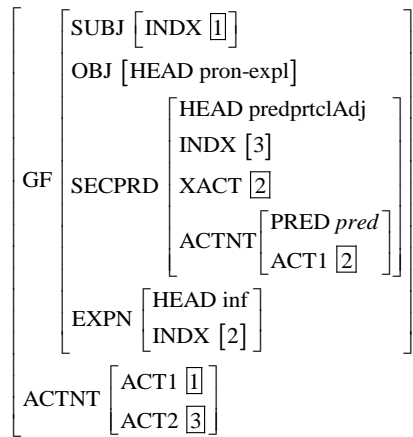


vi anser det  
tvilsomt hvorvidt  
det vil holde seg  
slik

we deem it  
doubtful  
whether it  
will remain  
like this

Comment:  
In terms of  
transformational  
analysis: 'raising  
to object' of a  
clause, in turn  
extraposed.

trScprExpnOb-scObNrg-  
scPredprtclAdj-expnAbsinf

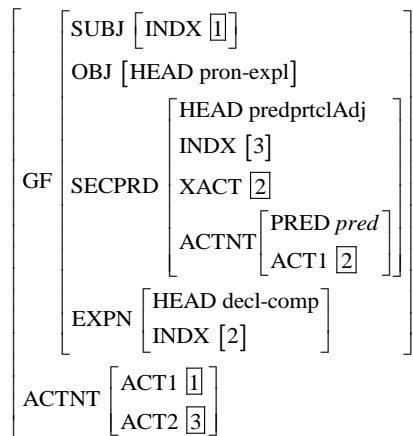


vi anser det som  
ufornuftig å  
nekte all skyld

we deem it  
as unwise  
to deny all  
guilt

Comment:  
In terms of  
transformational  
analysis: 'raising  
to object' of a  
clause, in turn  
extraposed.

trScprExpnOb-scObNrg-  
scPredprtclAdj-expnDECL

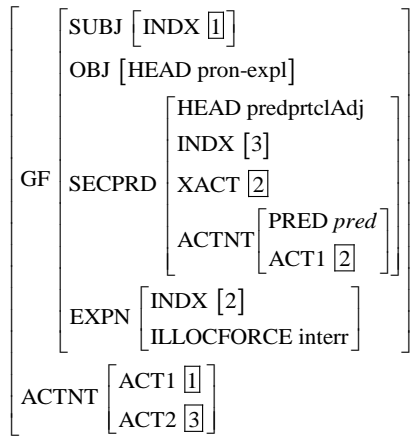


vi anser det som  
tvilsomt at det  
vil komme bedre  
forslag

we consider  
it as  
doubtful  
that there  
will come  
better  
proposals

Comment:  
In terms of  
transformational  
analysis: 'raising  
to object' of a  
clause, in turn  
extraposed.

trScprExpnOb-scObNrg-  
scPredprtclAdj-expnINTERR

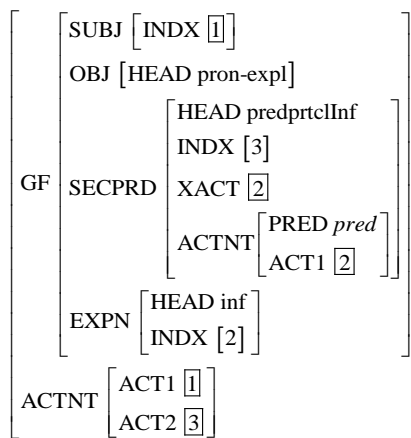


vi vurderer det  
som tvilsomt  
hvorvidt det vil  
komme bedre  
forslag

we deem it  
as doubtful  
whether  
there will  
come better  
proposals

Comment:  
In terms of  
transformational  
analysis: 'raising  
to object' of a  
clause, in turn  
extraposed.

trScprExpnOb-scObNrg-  
scPredprtclInf-expnAbsinf

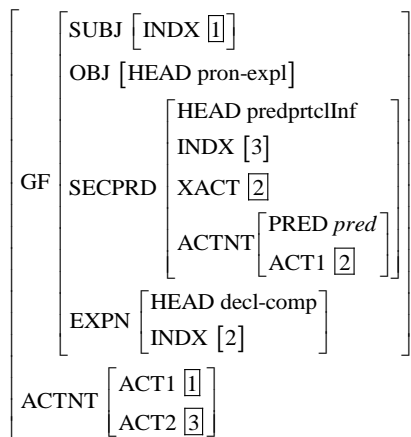


vi anser det for å  
være mulig å  
vinne

we  
considerP it  
to be  
possible to  
win

Comment:  
In terms of  
transformational  
analysis: 'raising  
to object' of a  
clause, in turn  
extraposed.

trScprExpnOb-scObNrg-  
scPredprtclInf-expnDECL

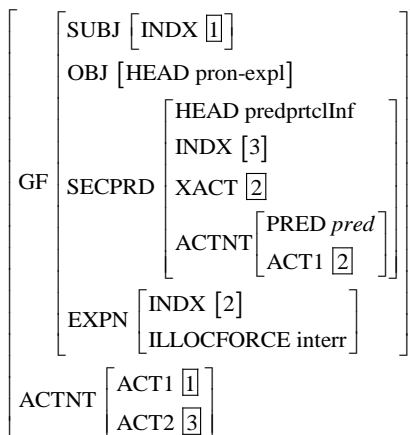


vi anser det for å  
være mulig at vi  
vinner

we  
considerP it  
to be  
possible  
that we win

Comment:  
In terms of  
transformational  
analysis: 'raising  
to object' of a  
clause, in turn  
extraposed.

trScprExpnOb-scObNrg-  
scPredprtclInf-expnINTERR

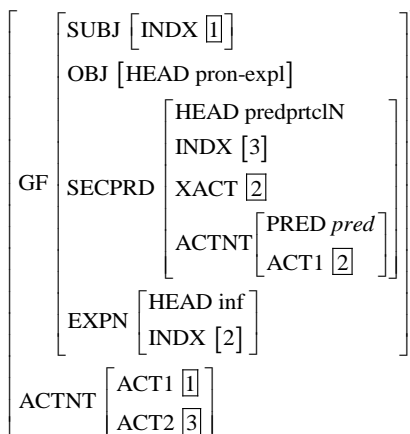


vi anser det for å  
være åpent  
hvorvidt vi  
vinner

we  
considerP it  
to be open  
whether we  
win

Comment:  
In terms of  
transformational  
analysis: 'raising  
to object' of a  
clause, in turn  
extraposed.

trScprExpnOb-scObNrg-  
scPredprtclN-expnAbsinf

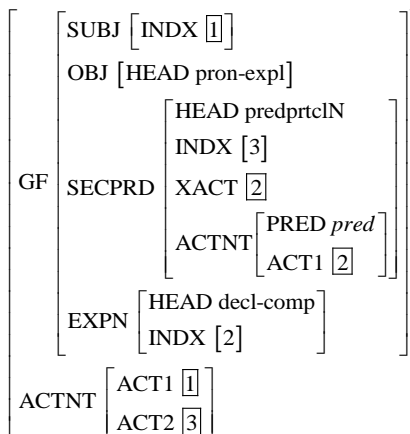


vi anser det som  
en dårlig taktikk  
å nekte all skyld

we consider  
it as a bad  
tactics to  
deny all  
guilt

Comment:  
In terms of  
transformational  
analysis: 'raising  
to object' of a  
clause, in turn  
extraposed.

trScprExpnOb-scObNrg-  
scPredprtclN-expnDECL

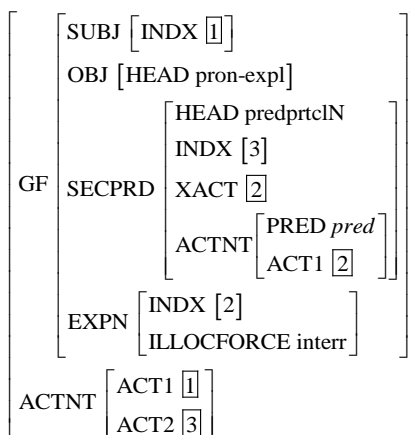


vi vurderer det  
som et omen at  
det regner svart  
regn

we consider  
it as an  
omen that  
it rains  
black rain

Comment:  
In terms of  
transformational  
analysis: 'raising  
to object' of a  
clause, in turn  
extraposed.

trScprExpnOb-scObNrg-  
scPredprtclN-expnINTERR



vi vurderer det  
som et åpent  
spørsmål  
hvorvidt det vil  
komme bedre  
forslag

we consider  
it as an  
open  
question  
whether  
there will  
come better  
proposals

Comment:  
In terms of  
transformational  
analysis: 'raising  
to object' of a  
clause, in turn  
extraposed.

